

NOTICE!!

These documents have been scanned!

Do not place un-scanned documents beneath this notice!

Do not remove this notice from this file!

GPO Jacket No. 560-102
Print Order 61540
Rise Business Services, LLC
Job=AZ15 5/8/2019



Box Number= AZ15024



Claim Begin-End: AMC433751-AMC433770

1 Initial Receipt



AZ15024-24

AMC433502-AMC433786

AMC#
DATE CLOSED**REMARKS**

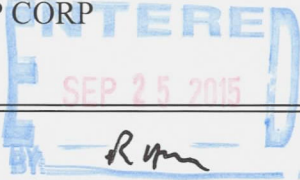
AMC#	DATE CLOSED	REMARKS
433751		
433752		
433753		
433754		
433755		
433756		
433757		
433758		
433759		
433760		
433761		
433762		
433763		
433764		
433765		
433766		
433767		
433768		
433769		
433770		

United States Department of the Interior
Bureau of Land Management
 LANDS/RECREATION & PLANNING
 ONE N CENTRAL AVE
 PHOENIX, AZ 85004 -2203
 Phone: 602-417-9200

Receipt

No: 3395331

Transaction #: 3493819	
Date of Transaction: 09/18/2015	
CUSTOMER:	
ROUGE MOUNTAIN MINING GROUP CORP 805 VETERANS BLVD STE 228 REDWOOD CITY, CA 94063-1736 US	



LINE #	QTY	DESCRIPTION	REMARKS	UNIT PRICE	TOTAL
1	20.00	LOCATABLE MINERALS / MINING CLAIMS- NEW, UNADJUD, ONE OR MORE AUTH NOS / NEW MINING CLAIMS LOCATION FEE CASES: AMC433751/\$37.00, AMC433752/\$37.00, AMC433753/\$37.00, AMC433754/\$37.00, AMC433755/\$37.00, AMC433756/\$37.00, AMC433757/\$37.00, AMC433758/\$37.00, AMC433759/\$37.00, AMC433760/\$37.00, AMC433761/\$37.00, AMC433762/\$37.00, AMC433763/\$37.00, AMC433764/\$37.00, AMC433765/\$37.00, AMC433766/\$37.00, AMC433767/\$37.00, AMC433768/\$37.00, AMC433769/\$37.00, AMC433770/\$37.00		- n/a -	740.00
2	20.00	LOCATABLE MINERALS / MINING CLAIMS- NEW, UNADJUD, ONE OR MORE AUTH NOS / NEW MINING CLAIM PROCESSING FEE CASES: AMC433751/\$20.00, AMC433752/\$20.00, AMC433753/\$20.00, AMC433754/\$20.00, AMC433755/\$20.00, AMC433756/\$20.00, AMC433757/\$20.00, AMC433758/\$20.00, AMC433759/\$20.00, AMC433760/\$20.00, AMC433761/\$20.00, AMC433762/\$20.00, AMC433763/\$20.00, AMC433764/\$20.00, AMC433765/\$20.00, AMC433766/\$20.00, AMC433767/\$20.00, AMC433768/\$20.00, AMC433769/\$20.00, AMC433770/\$20.00		- n/a -	400.00
		LOCATABLE MINERALS / MINING CLAIMS- NEW, UNADJUD, ONE OR MORE AUTH NOS / NEW MINING CLAIMS MAINTENANCE FEE CASES: AMC433751/\$155.00, AMC433752/\$155.00,			

3	20.00	AMC433753/\$155.00, AMC433754/\$155.00, AMC433755/\$155.00, AMC433756/\$155.00, AMC433757/\$155.00, AMC433758/\$155.00, AMC433759/\$155.00, AMC433760/\$155.00, AMC433761/\$155.00, AMC433762/\$155.00, AMC433763/\$155.00, AMC433764/\$155.00, AMC433765/\$155.00, AMC433766/\$155.00, AMC433767/\$155.00, AMC433768/\$155.00, AMC433769/\$155.00, AMC433770/\$155.00	- n/a -	3100.00
TOTAL:				\$4,240.00

PAYMENT INFORMATION				
1	AMOUNT:	4240.00	POSTMARKED:	09/08/2015
	TYPE:	CHECK	RECEIVED:	09/17/2015
	CHECK NO:	1071		
	NAME:	PLOMOSA PLACERS LLC 10923 VALLEROSA ST LAS VEGAS NV 89141 US		

REMARKS

This receipt was generated by the automated BLM Collections and Billing System and is a paper representation of a portion of the official electronic record contained therein.

NOTICE!!

These documents have been scanned!

Do not place un-scanned documents beneath this notice!

Do not remove this notice from this file!

GPO Jacket No. 560-102
Print Order 61540
Rise Business Services, LLC
Job=AZ15 5/8/2019



Box Number= AZ15024



Claim Begin-End: AMC433751-AMC433770

2 Correspondence



AZ15024-24

AMC433502-AMC433786

**NO
DOCUMENTS
FOUND**

NO DOCUMENTS FOUND
NO DOCUMENTS FOUND

NOTICE!!

These documents have been scanned!

Do not place un-scanned documents beneath this notice!

Do not remove this notice from this file!

GPO Jacket No. 560-102
Print Order 61540
Rise Business Services, LLC
Job=AZ15 5/8/2019



Box Number= AZ15024



Claim Begin-End: AMC433751-AMC433770

3 Transfers



AZ15024-24

AMC433502-AMC433786

**NO
DOCUMENTS
FOUND**

NO DOCUMENTS FOUND
NO DOCUMENTS FOUND

NOTICE!!

These documents have been scanned!

Do not place un-scanned documents beneath this notice!

Do not remove this notice from this file!

GPO Jacket No. 560-102
Print Order 61540
Rise Business Services, LLC
Job=AZ15 5/8/2019



Box Number= AZ15024



Claim Begin-End: AMC433751-AMC433770

4 Annual Filings



AZ15024-24

AMC433502-AMC433786

DEPARTMENT OF THE INTERIOR
BUREAU OF LAND MANAGEMENT
MINING CLAIMS

Run Date/Time: 9/11/2018

MC Maintenance Fees Paid Through the BLM Pay Portal
(by Date Paid)

Page 506 Of 723

CBS Receipt: 4250929

Printed For Lead File # **AMC433751**

Agency Tracking ID: 1535631144

Assessment Year: 2019

Paid On: 8/30/2018

Number of BLM Serial Nr: 10

Total Amount Paid: \$1,550.00

Claim Name	BLM Serial No	Lead File No	Amount Paid
DP-1	AMC402978	AMC402972	\$155.00
DP-2	AMC402979	AMC402972	\$155.00
DP-3	AMC402980	AMC402972	\$155.00
DP-4	AMC402981	AMC402972	\$155.00
RMM-1	AMC433751	AMC433751	\$155.00
RMM-2	AMC433752	AMC433751	\$155.00
RMM-3	AMC433753	AMC433751	\$155.00
RMM-4	AMC433754	AMC433751	\$155.00
RMM-5	AMC433755	AMC433751	\$155.00
RMM-6	AMC433756	AMC433751	\$155.00

United States Department of the Interior

Bureau of Land Management

BUSINESS & SUPPORT SVCS DIV

ONE N CENTRAL AVE SUITE 800

PHOENIX, AZ 85004 -4427

Phone: 602-417-9200

Receipt

No: 4250929

Transaction #: 4366437	
Date of Transaction: 08/30/2018	
CUSTOMER:	
MI PING WU 251 GINKO TER SUNNYVALE,CA 94086 US	

LINE #	QTY	DESCRIPTION	REMARKS	UNIT PRICE	TOTAL
1	1.00	LOCATABLE MINERALS / MINING CLAIMS- NOT NEW-UNADJUD,ONE AUTH NO. ONLY / MINING CLAIM MONEY RECEIVED CASES: AMC402978/\$1550.00		- n/a -	1550.00
TOTAL:					\$1,550.00

PAYMENT INFORMATION			
NOTE: Items will appear on credit card statement as "BLM O Mining Claim".			
1	AMOUNT:	1550.00	POSTMARKED: N/A
	TYPE:	CREDIT CARD	RECEIVED: 08/30/2018
	NAME:	MI PING WU 251 GINKO TER SUNNYVALE CA 94086 US	
	CARD NO:	XXXXXXXXXXXX6667	AUTH CODE: 047272
	NAME ON CARD:	MI PING WU	
	SIGNATURE:		

REMARKS

This receipt was generated by the automated BLM Collections and Billing System and is a paper representation of a portion of the official electronic record contained therein.

DEPARTMENT OF THE INTERIOR
BUREAU OF LAND MANAGEMENT
MINING CLAIMS

Run Date/Time: 9/26/2018

MC Maintenance Fees Paid Through the BLM Pay Portal
(by Date Paid)

Page 2 Of 2

CBS Receipt: 4250969

Printed For Lead File # AMC433751

Agency Tracking ID: 1535648660

Assessment Year: 2019

Number of BLM Serial Nr: 10

Paid On: 8/30/2018

Total Amount Paid: \$1,550.00

Claim Name	BLM Serial No	Lead File No	Amount Paid
RMM-7	AMC433757	AMC433751	\$155.00
RMM-8	AMC433758	AMC433751	\$155.00
RMM-9	AMC433759	AMC433751	\$155.00
RMM-10	AMC433760	AMC433751	\$155.00
RMM-11	AMC433761	AMC433751	\$155.00
RMM-12	AMC433762	AMC433751	\$155.00
RMM-13	AMC433763	AMC433751	\$155.00
RMM-14	AMC433764	AMC433751	\$155.00
RMM-15	AMC433765	AMC433751	\$155.00
RMM-16	AMC433766	AMC433751	\$155.00

United States Department of the Interior

Bureau of Land Management
 BUSINESS & SUPPORT SVCS DIV
 ONE N CENTRAL AVE SUITE 800
 PHOENIX, AZ 85004 -4427
 Phone: 602-417-9200

Receipt

No: 4250969

Transaction #: 4366477	
Date of Transaction: 08/30/2018	
CUSTOMER:	
MI PING WU 251 GINKO TER SUNNYVALE,CA 94086 US	

LINE #	QTY	DESCRIPTION	REMARKS	UNIT PRICE	TOTAL
1	1.00	LOCATABLE MINERALS / MINING CLAIMS- NOT NEW-UNADJUD,ONE AUTH NO. ONLY / MINING CLAIM MONEY RECEIVED CASES: AMC433757/\$1550.00		- n/a -	1550.00
TOTAL:					\$1,550.00

PAYMENT INFORMATION			
NOTE: Items will appear on credit card statement as "BLM O Mining Claim".			
1	AMOUNT:	1550.00	POSTMARKED: N/A
	TYPE:	CREDIT CARD	RECEIVED: 08/30/2018
	NAME:	MI PING WU 251 GINKO TER SUNNYVALE CA 94086 US	
	CARD NO:	XXXXXXXXXXXX6667	AUTH CODE: 063369
	NAME ON CARD:	MI PING WU	
	SIGNATURE:		

REMARKS

This receipt was generated by the automated BLM Collections and Billing System and is a paper representation of a portion of the official electronic record contained therein.

Run Date: 09/05/17

Run Time: 02:33 PM

**DEPARTMENT OF THE INTERIOR
BUREAU OF LAND MANAGEMENT
MINING CLAIMS**

MC Maintenance Fees Paid Through the BLM Pay Portal

CBS Receipt: 3966702

Printed For Lead File # **AMC433751**

Agency Tracking ID: 1504085236

Assessment Year: 2018

Number of BLM Serial Nr: 54

Paid On: 08/30/2017

Total Amount Paid: \$8,370.00

Claim Name	BLM Serial No	Lead File No	Amount Paid
AURUM #1	AMC399036	AMC399036	\$155.00
AURUM #2	AMC399037	AMC399036	\$155.00
AURUM #3	AMC399038	AMC399036	\$155.00
AURUM #4	AMC399039	AMC399036	\$155.00
AURUM #5	AMC399040	AMC399036	\$155.00
AURUM #6	AMC399041	AMC399036	\$155.00
AURUM #7	AMC399042	AMC399036	\$155.00
AURUM #8	AMC399043	AMC399036	\$155.00
AURUM #9	AMC399044	AMC399036	\$155.00
AURUM #10	AMC399045	AMC399036	\$155.00
AURUM #11	AMC399046	AMC399036	\$155.00
AURUM #12	AMC399047	AMC399036	\$155.00
AURUM #13	AMC399048	AMC399036	\$155.00
AURUM #14	AMC399049	AMC399036	\$155.00
AURUM #15	AMC399050	AMC399036	\$155.00
AURUM #16	AMC399051	AMC399036	\$155.00
AURUM #17	AMC399052	AMC399036	\$155.00
AURUM #18	AMC399053	AMC399036	\$155.00
AURUM #19	AMC399054	AMC399036	\$155.00
AURUM #20	AMC399055	AMC399036	\$155.00
AURUM #21	AMC399056	AMC399036	\$155.00
AURUM #22	AMC399057	AMC399036	\$155.00
AURUM #23	AMC399058	AMC399036	\$155.00
AURUM #24	AMC399059	AMC399036	\$155.00
AC-1-12W	AMC402972	AMC402972	\$155.00
AC-2-12W	AMC402973	AMC402972	\$155.00
AC-3-1	AMC402974	AMC402972	\$155.00
AC-4-1	AMC402975	AMC402972	\$155.00
AC-5-12E	AMC402976	AMC402972	\$155.00
AC-6-12E	AMC402977	AMC402972	\$155.00
DP-1	AMC402978	AMC402972	\$155.00
DP-2	AMC402979	AMC402972	\$155.00
DP-3	AMC402980	AMC402972	\$155.00
DP-4	AMC402981	AMC402972	\$155.00
RMM-1	AMC433751	AMC433751	\$155.00
RMM-2	AMC433752	AMC433751	\$155.00

NO WARRANTY IS MADE BY BLM FOR USE OF THE DATA FOR PURPOSES NOT INTENDED BY BLM

**DEPARTMENT OF THE INTERIOR
BUREAU OF LAND MANAGEMENT
MINING CLAIMS**

MC Maintenance Fees Paid Through the BLM Pay Portal

CBS Receipt: 3966702

Printed For Lead File # AMC433751

Agency Tracking ID: 1504085236

Assessment Year: 2018

Number of BLM Serial Nr: 54

Paid On: 08/30/2017

Total Amount Paid: \$8,370.00

Claim Name	BLM Serial No	Lead File No	Amount Paid
RMM-3	AMC433753	AMC433751	\$155.00
RMM-4	AMC433754	AMC433751	\$155.00
RMM-5	AMC433755	AMC433751	\$155.00
RMM-6	AMC433756	AMC433751	\$155.00
RMM-7	AMC433757	AMC433751	\$155.00
RMM-8	AMC433758	AMC433751	\$155.00
RMM-9	AMC433759	AMC433751	\$155.00
RMM-10	AMC433760	AMC433751	\$155.00
RMM-11	AMC433761	AMC433751	\$155.00
RMM-12	AMC433762	AMC433751	\$155.00
RMM-13	AMC433763	AMC433751	\$155.00
RMM-14	AMC433764	AMC433751	\$155.00
RMM-15	AMC433765	AMC433751	\$155.00
RMM-16	AMC433766	AMC433751	\$155.00
RMM-17	AMC433767	AMC433751	\$155.00
RMM-18	AMC433768	AMC433751	\$155.00
RMM-19	AMC433769	AMC433751	\$155.00
RMM-20	AMC433770	AMC433751	\$155.00

United States Department of the Interior
Bureau of Land Management
 BUSINESS & SUPPORT SVCS DIV
 ONE N CENTRAL AVE SUITE 800
 PHOENIX, AZ 85004 -4427
 Phone: 602-417-9200

Receipt

No: 3966702

2

Transaction #: 4076586	
Date of Transaction: 08/30/2017	
CUSTOMER:	
MEI PING WU 251 GINKO TER SUNNYVALE, CA 94086 US	

LINE #	QTY	DESCRIPTION	REMARKS	UNIT PRICE	TOTAL
1	1.00	LOCATABLE MINERALS / MINING CLAIMS- NOT NEW-UNADJUD, ONE AUTH NO. ONLY / MINING CLAIM MONEY RECEIVED CASES: AMC402972/\$8370.00		- n/a -	8370.00
TOTAL:					\$8,370.00

PAYMENT INFORMATION				
NOTE: Items will appear on credit card statement as "BLM O Mining Claim".				
1	AMOUNT:	8370.00	POSTMARKED:	N/A
	TYPE:	CREDIT CARD	RECEIVED:	08/30/2017
	NAME:	MEI PING WU 251 GINKO TER SUNNYVALE CA 94086 US		
	CARD NO:	XXXXXXXXXXXX6379	AUTH CODE:	057690
	NAME ON CARD:	MEI PING WU		
	EXPIRES:	07/2021		
	SIGNATURE:			

REMARKS

This receipt was generated by the automated BLM Collections and Billing System and is a paper representation of a portion of the official electronic record contained therein.

**DEPARTMENT OF THE INTERIOR
BUREAU OF LAND MANAGEMENT
MINING CLAIMS**

MC Maintenance Fees Paid Through the BLM Pay Portal

CBS Receipt: 3647430Printed For Lead File # **AMC433751**

Agency Tracking ID: 1472586656

Assessment Year: 2017

Number of BLM Serial Nr: 54

Paid On: 08/30/2016

Total Amount Paid: \$8,370.00

Claim Name	BLM Serial No	Lead File No	Amount Paid
AURUM #1	AMC399036	AMC399036	\$155.00
AURUM #2	AMC399037	AMC399036	\$155.00
AURUM #3	AMC399038	AMC399036	\$155.00
AURUM #4	AMC399039	AMC399036	\$155.00
AURUM #5	AMC399040	AMC399036	\$155.00
AURUM #6	AMC399041	AMC399036	\$155.00
AURUM #7	AMC399042	AMC399036	\$155.00
AURUM #8	AMC399043	AMC399036	\$155.00
AURUM #9	AMC399044	AMC399036	\$155.00
AURUM #10	AMC399045	AMC399036	\$155.00
AURUM #11	AMC399046	AMC399036	\$155.00
AURUM #12	AMC399047	AMC399036	\$155.00
AURUM #13	AMC399048	AMC399036	\$155.00
AURUM #14	AMC399049	AMC399036	\$155.00
AURUM #15	AMC399050	AMC399036	\$155.00
AURUM #16	AMC399051	AMC399036	\$155.00
AURUM #17	AMC399052	AMC399036	\$155.00
AURUM #18	AMC399053	AMC399036	\$155.00
AURUM #19	AMC399054	AMC399036	\$155.00
AURUM #20	AMC399055	AMC399036	\$155.00
AURUM #21	AMC399056	AMC399036	\$155.00
AURUM #22	AMC399057	AMC399036	\$155.00
AURUM #23	AMC399058	AMC399036	\$155.00
AURUM #24	AMC399059	AMC399036	\$155.00
AC-1-12W	AMC402972	AMC402972	\$155.00
AC-2-12W	AMC402973	AMC402972	\$155.00
AC-3-1	AMC402974	AMC402972	\$155.00
AC-4-1	AMC402975	AMC402972	\$155.00
AC-5-12E	AMC402976	AMC402972	\$155.00
AC-6-12E	AMC402977	AMC402972	\$155.00
DP-1	AMC402978	AMC402972	\$155.00
DP-2	AMC402979	AMC402972	\$155.00
DP-3	AMC402980	AMC402972	\$155.00
DP-4	AMC402981	AMC402972	\$155.00
RMM-1	AMC433751	AMC433751	\$155.00
RMM-2	AMC433752	AMC433751	\$155.00

Run Date: 09/14/16

Run Time: 01:48 PM

**DEPARTMENT OF THE INTERIOR
BUREAU OF LAND MANAGEMENT
MINING CLAIMS**

MC Maintenance Fees Paid Through the BLM Pay Portal

CBS Receipt: 3647430

Printed For Lead File # AMC433751

Agency Tracking ID: 1472586656

Assessment Year: 2017

Number of BLM Serial Nr: 54

Paid On: 08/30/2016

Total Amount Paid: \$8,370.00

Claim Name	BLM Serial No	Lead File No	Amount Paid
RMM-3	AMC433753	AMC433751	\$155.00
RMM-4	AMC433754	AMC433751	\$155.00
RMM-5	AMC433755	AMC433751	\$155.00
RMM-6	AMC433756	AMC433751	\$155.00
RMM-7	AMC433757	AMC433751	\$155.00
RMM-8	AMC433758	AMC433751	\$155.00
RMM-9	AMC433759	AMC433751	\$155.00
RMM-10	AMC433760	AMC433751	\$155.00
RMM-11	AMC433761	AMC433751	\$155.00
RMM-12	AMC433762	AMC433751	\$155.00
RMM-13	AMC433763	AMC433751	\$155.00
RMM-14	AMC433764	AMC433751	\$155.00
RMM-15	AMC433765	AMC433751	\$155.00
RMM-16	AMC433766	AMC433751	\$155.00
RMM-17	AMC433767	AMC433751	\$155.00
RMM-18	AMC433768	AMC433751	\$155.00
RMM-19	AMC433769	AMC433751	\$155.00
RMM-20	AMC433770	AMC433751	\$155.00

United States Department of the Interior
 Bureau of Land Management
 BUSINESS & SUPPORT SVCS DIV
 ONE N CENTRAL AVE SUITE 800
 PHOENIX, AZ 85004 -4427
 Phone: (602) 417-9200

Receipt

No: 3647430

Transaction #: 3751417	
Date of Transaction: 08/30/2016	
CUSTOMER:	
MI PING WU 251 GINKO TER SUNNYVALE, CA 94086 US	

LINE #	QTY	DESCRIPTION	REMARKS	UNIT PRICE	TOTAL
1	1.00	LOCATABLE MINERALS / MINING CLAIMS- NOT NEW-UNADJUD, ONE AUTH NO. ONLY / MINING CLAIM MONEY RECEIVED CASES: AMC402972/\$8370.00		- n/a -	8370.00
TOTAL:					\$8,370.00

PAYMENT INFORMATION			
NOTE: Items will appear on credit card statement as "BLM O Mining Claim".			
1	AMOUNT:	8370.00	POSTMARKED: N/A
	TYPE:	CREDIT CARD	RECEIVED: 08/30/2016
	NAME:	MI PING WU 251 GINKO TER SUNNYVALE CA 94086 US	
	CARD NO:	XXXXXXXXXXXX3807	AUTH CODE: 917150
	NAME ON CARD:	MI PING WU	
	EXPIRES:	12/2017	
	SIGNATURE:		

REMARKS

This receipt was generated by the automated BLM Collections and Billing System and is a paper representation of a portion of the official electronic record contained therein.

NOTICE!!

These documents have been scanned!

Do not place un-scanned documents beneath this notice!

Do not remove this notice from this file!

GPO Jacket No. 560-102
Print Order 61540
Rise Business Services, LLC
Job=AZ15 5/8/2019



Box Number= AZ15024



Claim Begin-End: AMC433751-AMC433770

5 Miscellaneous



AZ15024-24

AMC433502-AMC433786

**NO
DOCUMENTS
FOUND**

NO DOCUMENTS FOUND
NO DOCUMENTS FOUND

NOTICE!!

These documents have been scanned!

Do not place un-scanned documents beneath this notice!

Do not remove this notice from this file!

GPO Jacket No. 560-102
Print Order 61540
Rise Business Services, LLC
Job=AZ15 5/8/2019



Box Number= AZ15024



Claim Begin-End: AMC433751-AMC433770

6 Location Notices-Amendments and Supporting Documents



AZ15024-24

AMC433502-AMC433786

MINING CLAIM STATUS REPORT

Data Entered: 09/25/15 RAM

MTP Checked By: 09/25/15 RAM

GEO Checked By: 09/25/15 PMS

LEAD SERIAL NUMBER: AMC 433751 thru AMC 433770

NUMBER OF CLAIMS & TYPE:

LODE
 20 PLACER
 ASSOCIATION PLACER
 MILL SITE
 TUNNEL SITE

CHARGES:

Location Fee @ \$37 = \$ 740.00
 Processing Fee @ \$20 = \$ 400.00
 Maintenance Fee @ \$155 = \$ 3100.00
 Add'l Maint Fee for Assoc Placer = \$ _____
SUBTOTAL \$ 4240.00
 Other Fees \$ _____
 Other Fees \$ _____
TOTAL \$ 4240.00

TOTAL ACREAGE: _____ Per Claim
(Placer Only)

NUMBER OF LOCATORS: _____

DOCUMENTS RECEIVED VIA: Over-the-Counter [] Mail [] TIMELY FILED: Yes [] No []

LEGAL DESCRIPTION: T 3N R 18W SEC 1
 T _____ R _____ SEC _____
 T _____ R _____ SEC _____
 T _____ R _____ SEC _____
 T _____ R _____ SEC _____

BLM [] FOREST SERVICE [] _____ SUBJ TO PL 359: Yes [] No []
WILDERNESS AREA [] _____

SPLIT ESTATE: N/A [] SX [] PX [] OTHER [] _____
SRHA [] Was proper Notice filed if located on SHRA Land? Yes [] No []

RECONVEYED MINERALS ON BLM LAND REQUIRE OPENING ORDER FROM 1944 TO 1993:

Open to Entry On _____ N/A []

COMMENTS/STATUS: VOID [] PARTIALLY VOID [] PVT MINERALS [] WITHDRAWN LANDS []
OTHER [] _____

[] Claimant acknowledges that portions of the following claim(s) site(s) may be void or voidable.

Printed Name of Claimant _____ Signature of Claimant _____

*****FINAL ADJUDICATION*****

DATE 2.24.16 INITIALS RE

AMC433751



LOCATION NOTICE FOR PLACER MINING CLAIM

Amendment BLM Serial # _____

NOTICE IS HEREBY GIVEN that the RMM-1
 _____ placer mining claim has been located by

ROUGE MOUNTAIN MINING whose current mailing
 address is 805 VETERANS BLVD., STE 228
REDWOOD CITY, CA 94063-1736

RECEIVED
 BLM
 PHOENIX, ARIZONA
 2015 SEP 17 P 3:24
 BLM
 Date
 Stamp

The general course of this claim is EAST TO WEST and it is situated in LA PAZ
 County, Arizona. This claim is 1320 feet in length and 660 feet in width.

20 Total Claim Acreage. This claim runs from the location monument on which this location notice is
 posted at the SE corner of the claim approximately 1320 feet in a WEST direction to the
WEST end line and 660 feet in a NORTH direction to the NORTH end line. This claim is
 marked by four monuments, one at each corner of the claim.

The location monument on which this notice is posted is situated within Section 1, Township
3 N, Range 18 W, Gila Salt River Base and Meridian, Arizona. This claim encompasses
 portions of the following legal subdivision(s) if located by legal subdivision or the following quarter section(s),

section(s), Township(s) and Range(s) N 1/2 NW 1/4 NW 1/4
SEC 1, T3N, R18W, Gila Salt River Base and Meridian, Arizona.

The locality of this claim with reference to some natural object or permanent monument and additional information
 (if any) concerning its locality are as follows: NORTH OF DOS PICACHOS
MOUNTAIN

_____ The above information is shown on the attached map.

DATED AND POSTED on the ground this 3 day of SEPTEMBER 2015.

LOCATOR(s) AGENT

Print Name(s) TOM ARKOOSH

Signature(s) Tom Arkoosh

AH0433751



LOCATION NOTICE FOR PLACER MINING CLAIM

Amendment BLM Serial # _____

NOTICE IS HEREBY GIVEN that the RMM - 2
 _____ placer mining claim has been located by

ROUGE MOUNTAIN MINING whose current mailing
 address is 805 VETERANS BLVD, STE 228
REDWOOD CITY, CA 94063-1736

RECEIVED
 CLM A
 2015 SEP 17 P 3:24
 PHOENIX, ARIZONA
 BLM
 Date
 Stamp

The general course of this claim is EAST TO WEST and it is situated in LA PAZ
 County, Arizona. This claim is 1320 feet in length and 660 feet in width.

20 Total Claim Acreage. This claim runs from the location monument on which this location notice is
 posted at the SW corner of the claim approximately 1320 feet in a EAST direction to the
EAST end line and 660 feet in a NORTH direction to the NORTH end line. This claim is
 marked by four monuments, one at each corner of the claim.

The location monument on which this notice is posted is situated within Section 1, Township
3 N, Range 18 W, Gila Salt River Base and Meridian, Arizona. This claim encompasses

portions of the following legal subdivision(s) if located by legal subdivision or the following quarter section(s),
 section(s), Township(s) and Range(s) N 1/2 NE 1/4 NW 1/4
SEC 1, T3N, R18W, Gila Salt River Base and Meridian, Arizona.

The locality of this claim with reference to some natural object or permanent monument and additional information
 (if any) concerning its locality are as follows: NORTH OF DOS PICACHOS
MOUNTAIN

_____ The above information is shown on the attached map.

DATED AND POSTED on the ground this 3 day of SEPTEMBER 2015.

LOCATOR(s) AGENT

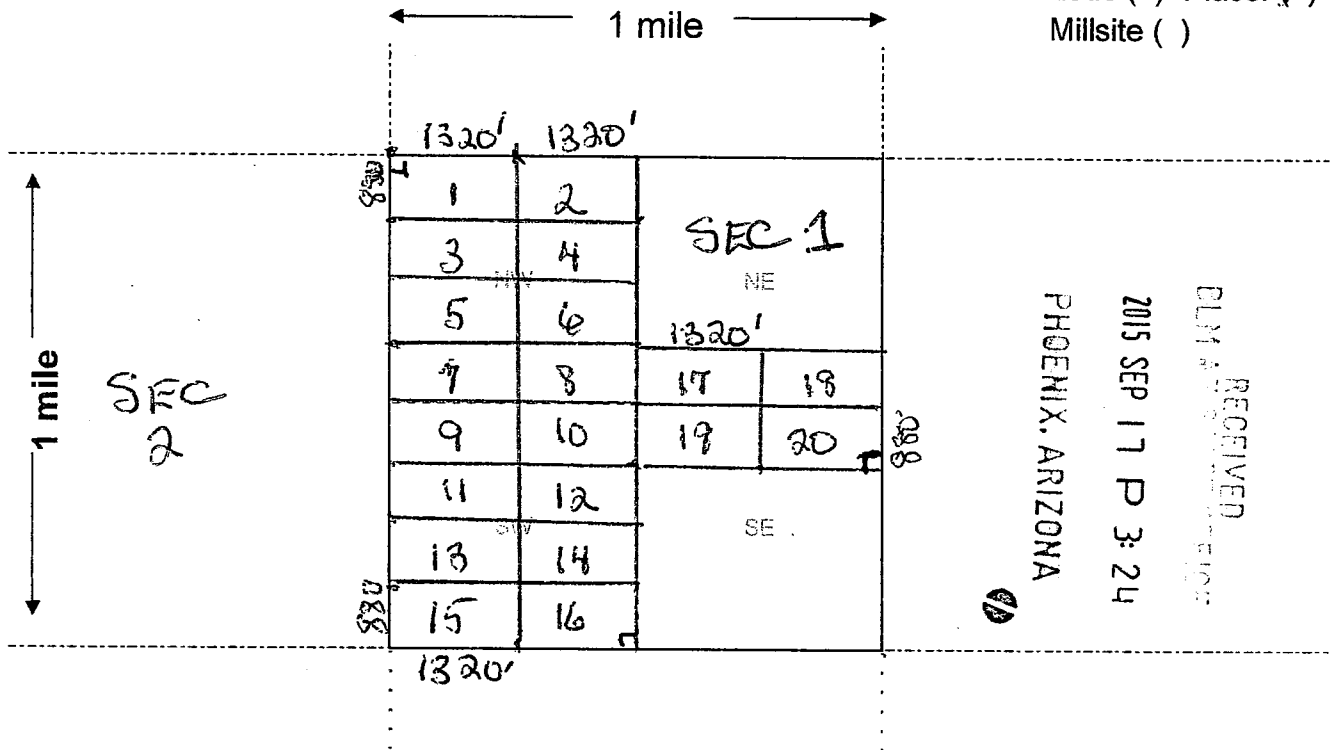
Print Name(s) TOM ARKOOSH

Signature(s) Tom Arkoosh

AMC433752

MINING CLAIM MAP

Lode () Placer (X)
Millsite ()



Scale: 1" = 2000 feet

- The above map depicts the RMM-2 mining claim, which is located in Section (s) 1, Township 3 N, Range 18 W, Gila and Salt River Base and Meridian, LA PAZ County, Arizona. Total claim acreage is 20 ACRES
- The type of corner and location monuments used are as follows: 2" x 2" WOODEN POST 4' HIGH
- The bearings and distances in degrees and feet between claim corners and to a public land survey monument are as depicted on the map.
- If the claim is a placer or millsite claim with exterior limits conforming to legal subdivisions of the public survey, provide a legal description of the claim N 1/2 NE 1/4 NW 1/4
SEC 1, T3N, R18W

Form MCF100a
Revised July 2014

AMC433752



LOCATION NOTICE FOR PLACER MINING CLAIM

Amendment BLM Serial # _____

NOTICE IS HEREBY GIVEN that the RMM-3
 _____ placer mining claim has been located by

ROUGE MOUNTAIN MINING whose current mailing
 address is 805 VETERANS BLVD, STE 228
REDWOOD CITY, CA 94063-1736

RECEIVED
 BLM / RECORDS SECTION
 2015 SEP 17 P 3:24
 PHOENIX, ARIZONA
 BLM
 Date
 Stamp

The general course of this claim is EAST TO WEST and it is situated in LA PAZ
 County, Arizona. This claim is 1320 feet in length and 660 feet in width.

20 Total Claim Acreage. This claim runs from the location monument on which this location notice is
 posted at the NE corner of the claim approximately 1320 feet in a WEST direction to the
WEST end line and 660 feet in a SOUTH direction to the SOUTH end line. This claim is
 marked by four monuments, one at each corner of the claim.

The location monument on which this notice is posted is situated within Section 1, Township
3 N, Range 18 W, Gila Salt River Base and Meridian, Arizona. This claim encompasses

portions of the following legal subdivision(s) if located by legal subdivision or the following quarter section(s),
 section(s), Township(s) and Range(s) S 1/2 NW 1/4 NW 1/4
SEC 1, T3N, R18W, Gila Salt River Base and Meridian, Arizona.

The locality of this claim with reference to some natural object or permanent monument and additional information
 (if any) concerning its locality are as follows: NORTH OF DOS PICACHOS
MOUNTAIN

_____ The above information is shown on the attached map.

DATED AND POSTED on the ground this 3 day of SEPTEMBER 20 15.

LOCATOR(s) AGENT

Print Name(s) TOM ARKOOSH

Signature(s) Tom Arkoosh

AMC433753



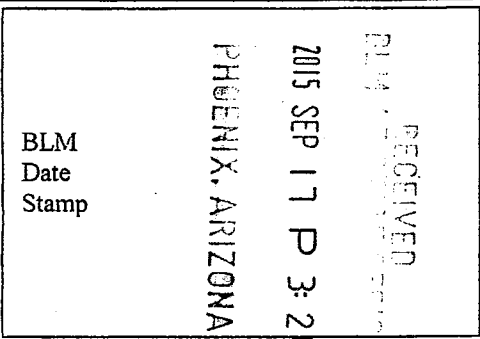
LOCATION NOTICE FOR PLACER MINING CLAIM

Amendment BLM Serial # _____

NOTICE IS HEREBY GIVEN that the RMM-4

_____ placer mining claim has been located by

ROUGE MOUNTAIN MINING whose current mailing address is 805 VETERANS BLVD, STE 228 REDWOOD CITY, CA 94063-1736



The general course of this claim is EAST TO WEST and it is situated in LA PAZ

County, Arizona. This claim is 1320 feet in length and 660 feet in width.

20 Total Claim Acreage. This claim runs from the location monument on which this location notice is posted at the NW corner of the claim approximately 1320 feet in a EAST direction to the EAST end line and 660 feet in a SOUTH direction to the SOUTH end line. This claim is marked by four monuments, one at each corner of the claim.

The location monument on which this notice is posted is situated within Section 1, Township 3 N, Range 18 W, Gila Salt River Base and Meridian, Arizona. This claim encompasses

portions of the following legal subdivision(s) if located by legal subdivision or the following quarter section(s), section(s), Township(s) and Range(s) S 1/2 NE 1/4 NW 1/4
SEC 1, T3N, R18W, Gila Salt River Base and Meridian, Arizona.

The locality of this claim with reference to some natural object or permanent monument and additional information (if any) concerning its locality are as follows: NORTH OF DOS PICACHOS MOUNTAIN

_____ The above information is shown on the attached map.

DATED AND POSTED on the ground this 3 day of SEPTEMBER 20 15.

LOCATOR(s) AGENT

Print Name(s) TOM ARKOOSH

Signature(s) Tom Arkoosh

ANC433754



LOCATION NOTICE FOR PLACER MINING CLAIM

Amendment BLM Serial # _____

NOTICE IS HEREBY GIVEN that the RMM-5

_____ placer mining claim has been located by

ROUGE MOUNTAIN MINING whose current mailing
 address is 805 VETERANS BLVD, STE 228
REDWOOD CITY, CA 94063-1736

The general course of this claim is EAST TO WEST and it is situated in LA PAZ

County, Arizona. This claim is 1320 feet in length and 660 feet in width.

20 Total Claim Acreage. This claim runs from the location monument on which this location notice is posted at the SE corner of the claim approximately 1320 feet in a WEST direction to the WEST end line and 660 feet in a NORTH direction to the NORTH end line. This claim is marked by four monuments, one at each corner of the claim.

The location monument on which this notice is posted is situated within Section 1, Township 3 N, Range 18 W, Gila Salt River Base and Meridian, Arizona. This claim encompasses

portions of the following legal subdivision(s) if located by legal subdivision or the following quarter section(s), section(s), Township(s) and Range(s) NW 1/4, SW 1/4, NW 1/4
SEC 1, T3N, R18W, Gila Salt River Base and Meridian, Arizona.

The locality of this claim with reference to some natural object or permanent monument and additional information (if any) concerning its locality are as follows: NORTH OF DOS PICACHOS MOUNTAIN

The above information is shown on the attached map.

DATED AND POSTED on the ground this 3 day of SEPTEMBER 20 15.

LOCATOR(s) AGENT

Print Name(s) TOM ARKOOSH

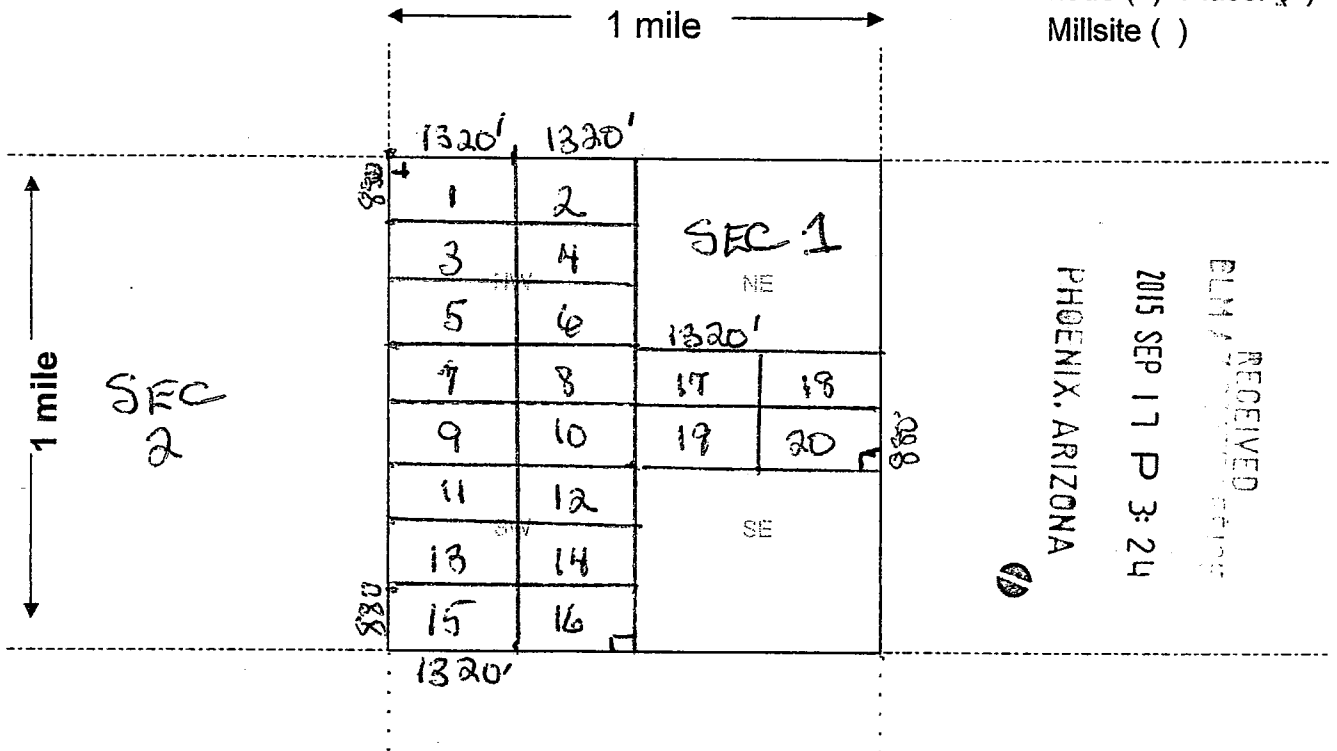
Signature(s) Tom Arkoosh

RECEIVED
 BLM ARIZONA OFFICE
 2015 SEP 17 P 3:24
 PHOENIX, ARIZONA

AMC433755

MINING CLAIM MAP

Lode () Placer (X)
Millsite ()



RECEIVED
BLM / PHOENIX OFFICE
2015 SEP 17 P 3:24
PHOENIX, ARIZONA

AMC433755

Scale: 1" = 2000 feet



1. The above map depicts the RMM-5 mining claim, which is located in Section (s) 1, Township 3 N, Range 18 W, Gila and Salt River Base and Meridian, LA PAZ County, Arizona. Total claim acreage is 20 ACRES

2. The type of corner and location monuments used are as follows: 2" x 2" WOODEN POST 4' HIGH

3. The bearings and distances in degrees and feet between claim corners and to a public land survey monument are as depicted on the map.

4. If the claim is a placer or millsite claim with exterior limits conforming to legal subdivisions of the public survey, provide a legal description of the claim N 1/2 SW 1/4 NW 1/4
SEC. 1, T3N, R18W

Form MCF100a
Revised July 2014



2015-928
 Page 1 of 2
 Requested By: Rouse Mountain
 SHELLY D BAKER, RECORDER
 OFFICIAL RECORDS OF LA PAZ COUNTY, AZ
 09-03-2015 02:05 PM Recording Fee \$10.00

LOCATION NOTICE FOR PLACER MINING CLAIM

Amendment BLM Serial # _____

NOTICE IS HEREBY GIVEN that the RMM-6

_____ placer mining claim has been located by

ROUGE MOUNTAIN MINING whose current mailing
 address is 805 VETERANS BLVD, STE 228
REDWOOD CITY, CA 94063-1736

RECEIVED
 2015 SEP 17 P 3:24
 PHOENIX, ARIZONA
 BLM
 Date
 Stamp

The general course of this claim is EAST TO WEST and it is situated in LA PAZ

County, Arizona. This claim is 1320 feet in length and 660 feet in width.

20 Total Claim Acreage. This claim runs from the location monument on which this location notice is posted at the SW corner of the claim approximately 1320 feet in a EAST direction to the EAST end line and 660 feet in a NORTH direction to the NORTH end line. This claim is marked by four monuments, one at each corner of the claim.

The location monument on which this notice is posted is situated within Section 1, Township 3 N, Range 18 W, Gila Salt River Base and Meridian, Arizona. This claim encompasses

portions of the following legal subdivision(s) if located by legal subdivision or the following quarter section(s), section(s), Township(s) and Range(s) N 1/2 SE 1/4 NW 1/4
SEC 1, T3N, R18W, Gila Salt River Base and Meridian, Arizona.

The locality of this claim with reference to some natural object or permanent monument and additional information (if any) concerning its locality are as follows: NORTH OF DOS PICACHOS MOUNTAIN

_____ The above information is shown on the attached map.

DATED AND POSTED on the ground this 3 day of SEPTEMBER 2015

LOCATOR(s) AGENT

Print Name(s) TOM ARKOOSH

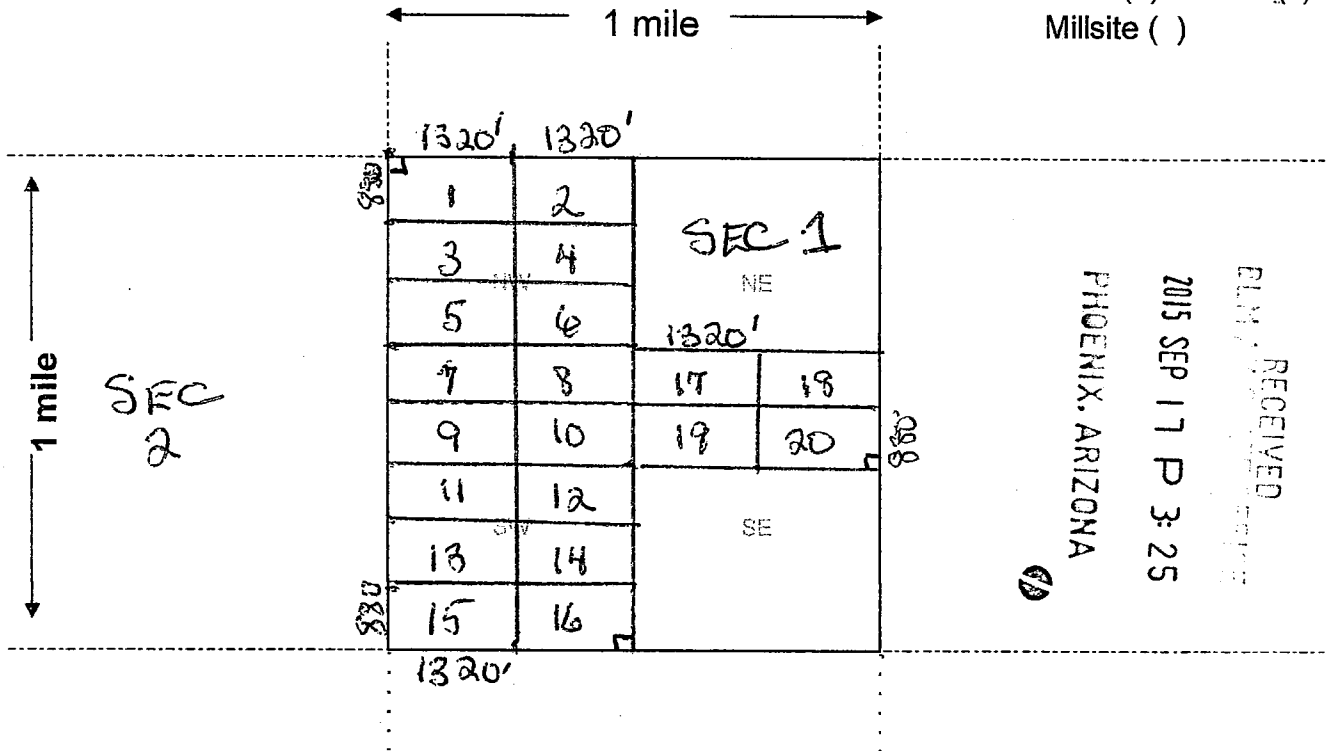
Signature(s) Tom Arkoosh

Form MCF102
 Revised July 2014

AH0433756

MINING CLAIM MAP

Lode () Placer (X)
Millsite ()



AMC 433756

- Scale: 1" = 2000 feet
- The above map depicts the RMM-6 mining claim, which is located in Section (s) 1, Township 3 N, Range 18 W, Gila and Salt River Base and Meridian, LA PAZ County, Arizona. Total claim acreage is 20 ACRES
 - The type of corner and location monuments used are as follows: 2" x 2" WOODEN POST 4' HIGH
 - The bearings and distances in degrees and feet between claim corners and to a public land survey monument are as depicted on the map.
 - If the claim is a placer or millsite claim with exterior limits conforming to legal subdivisions of the public survey, provide a legal description of the claim N 1/2 SE 1/4 NW 1/4
SEC. 1, T3N, R18W

Form MCF100a
Revised July 2014



LOCATION NOTICE FOR PLACER MINING CLAIM

Amendment BLM Serial # _____

NOTICE IS HEREBY GIVEN that the RMM-7
 _____ placer mining claim has been located by

ROUGE MOUNTAIN MINING whose current mailing
 address is 805 VETERANS BLVD, STE 228
REDWOOD CITY, CA 94063-1736

RECEIVED
 BLM
 2015 SEP 17 P 3:25
 PHOENIX, ARIZONA
 BLM
 Date
 Stamp

The general course of this claim is EAST TO WEST and it is situated in LA PAZ
 County, Arizona. This claim is 1320 feet in length and 660 feet in width.

20 Total Claim Acreage. This claim runs from the location monument on which this location notice is
 posted at the NE corner of the claim approximately 1320 feet in a WEST direction to the
WEST end line and 660 feet in a SOUTH direction to the SOUTH end line. This claim is
 marked by four monuments, one at each corner of the claim.

The location monument on which this notice is posted is situated within Section 1, Township
3 N, Range 18 W, Gila Salt River Base and Meridian, Arizona. This claim encompasses

portions of the following legal subdivision(s) if located by legal subdivision or the following quarter section(s),
 section(s), Township(s) and Range(s) 5 1/2 SW 1/4 NW 1/4
SEC 1, T3N, R18W, Gila Salt River Base and Meridian, Arizona.

The locality of this claim with reference to some natural object or permanent monument and additional information
 (if any) concerning its locality are as follows: NORTH OF DOS PICACHOS
MOUNTAIN

_____ The above information is shown on the attached map.
 DATED AND POSTED on the ground this 3 day of SEPTEMBER 20 15

LOCATOR(s) AGENT

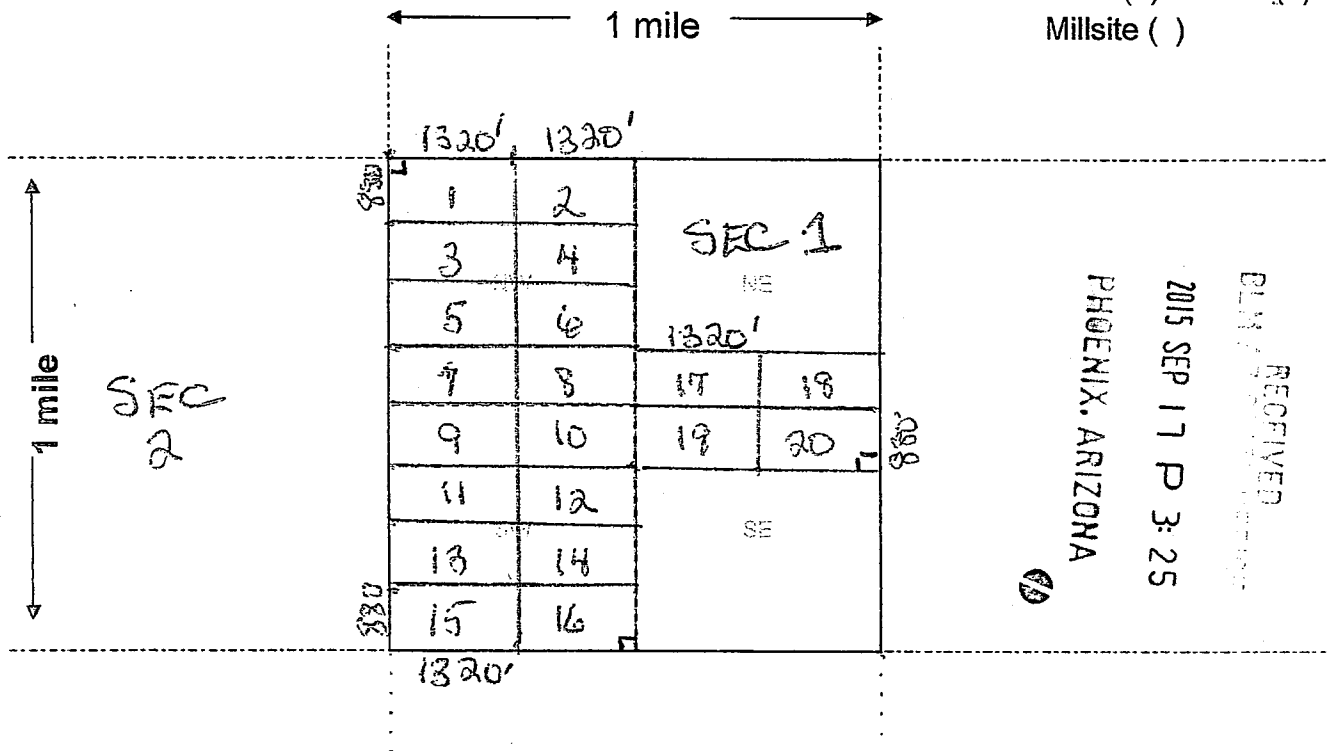
Print Name(s) TOM ARKOOSH

Signature(s) Tom Arkoosh

AN04337571

MINING CLAIM MAP

Lode () Placer (X)
Millsite ()



- The above map depicts the RMM-7 mining claim, which is located in Section (s) 1, Township 3 N, Range 18 W, Gila and Salt River Base and Meridian, LA PAZ County, Arizona. Total claim acreage is 20 ACRES
- The type of corner and location monuments used are as follows: 2" x 2" WOODEN POST 4' HIGH
- The bearings and distances in degrees and feet between claim corners and to a public land survey monument are as depicted on the map.
- If the claim is a placer or millsite claim with exterior limits conforming to legal subdivisions of the public survey, provide a legal description of the claim S 1/2 SW 1/4 NW 1/4
SEC. 1, T3N, R18W

Form MCF100a
Revised July 2014

AMC433757



LOCATION NOTICE FOR PLACER MINING CLAIM

Amendment BLM Serial # _____

NOTICE IS HEREBY GIVEN that the RMM-8
 _____ placer mining claim has been located by

ROUGE MOUNTAIN MINING whose current mailing
 address is 805 VETERANS BLVD, STE 208
REDWOOD CITY, CA 94063-1736

BLM
 Date
 Stamp
 PHOENIX, ARIZONA
 2015 SEP 17 P 3:25
 BLM RECEIVED

The general course of this claim is EAST TO WEST and it is situated in LA PAZ
 County, Arizona. This claim is 1320 feet in length and 660 feet in width.

20 Total Claim Acreage. This claim runs from the location monument on which this location notice is
 posted at the NW corner of the claim approximately 1320 feet in a EAST direction to the
EAST end line and 660 feet in a SOUTH direction to the SOUTH end line. This claim is
 marked by four monuments, one at each corner of the claim.

The location monument on which this notice is posted is situated within Section 1, Township
3 N, Range 18 W, Gila Salt River Base and Meridian, Arizona. This claim encompasses

portions of the following legal subdivision(s) if located by legal subdivision or the following quarter section(s),
 section(s), Township(s) and Range(s) S 1/2 SE 1/4 NW 1/4
SEC 1, T3N, R18W, Gila Salt River Base and Meridian, Arizona.

The locality of this claim with reference to some natural object or permanent monument and additional information
 (if any) concerning its locality are as follows: NORTH OF DOS PICACHOS
MOUNTAIN

_____ The above information is shown on the attached map.

DATED AND POSTED on the ground this 3 day of SEPTEMBER 20 15.

LOCATOR(s) AGENT

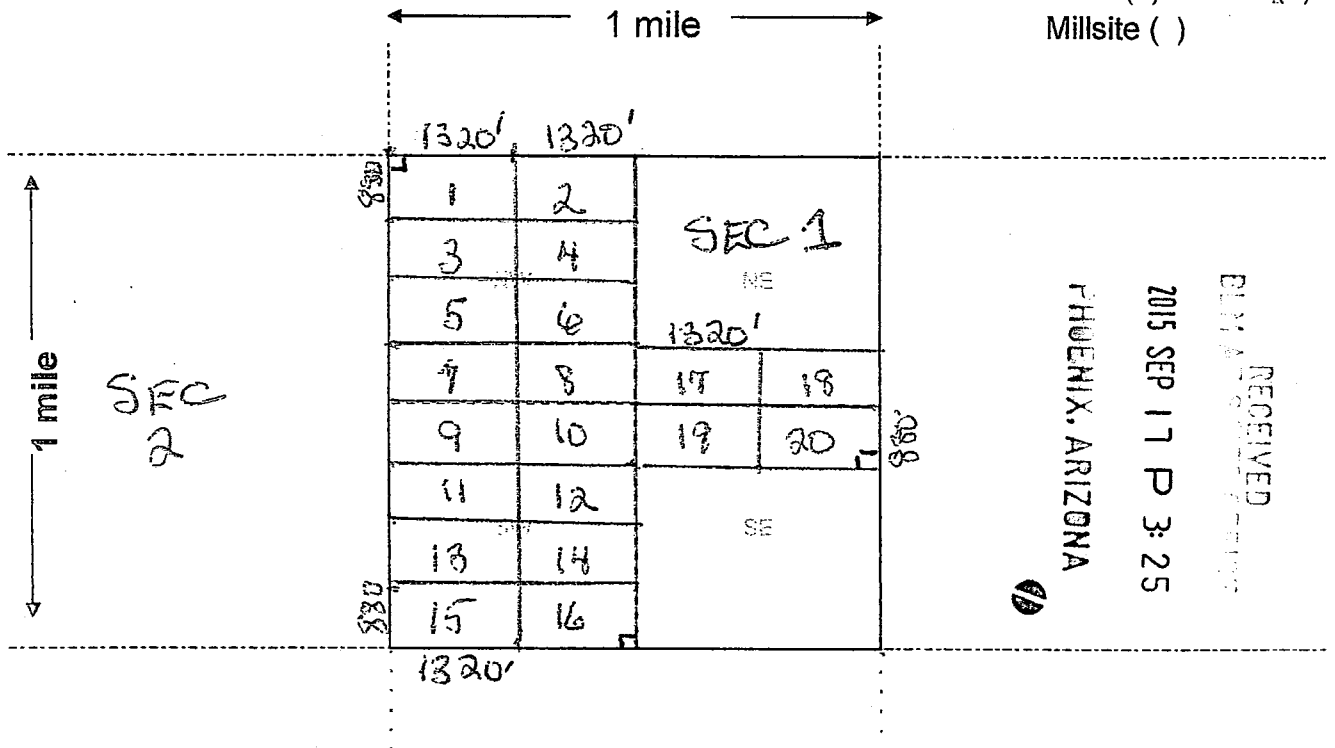
Print Name(s) TOM ARKOOSH

Signature(s) Tom Arkoosh

AMC433758

MINING CLAIM MAP

Lode () Placer (X)
Millsite ()



BLM RECEIVED
 2015 SEP 17 P 3:25
 PHOENIX, ARIZONA



Scale: 1" = 2000 feet

1. The above map depicts the RMM-8 mining claim, which is located in Section (s) 1, Township 3 N, Range 18 W, Gila and Salt River Base and Meridian, LA PAZ County, Arizona. Total claim acreage is 20 ACRES

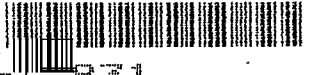
2. The type of corner and location monuments used are as follows: 2" x 2" WOODEN POST 4' HIGH

3. The bearings and distances in degrees and feet between claim corners and to a public land survey monument are as depicted on the map.

4. If the claim is a placer or millsite claim with exterior limits conforming to legal subdivisions of the public survey, provide a legal description of the claim S 1/2 SE 1/4 NW 1/4
SEC. 1, T3N, R18W

Form MCF100a
Revised July 2014

AMC433758

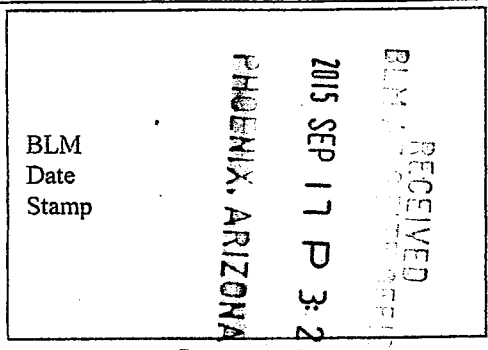


LOCATION NOTICE FOR PLACER MINING CLAIM

Amendment BLM Serial # _____

NOTICE IS HEREBY GIVEN that the RMM-9
 _____ placer mining claim has been located by

ROUGE MOUNTAIN MINING whose current mailing
 address is 805 VETERANS BLVD, STE 208
REDWOOD CITY, CA 94063-1736



The general course of this claim is EAST TO WEST and it is situated in LA PAZ
 County, Arizona. This claim is 1320 feet in length and 660 feet in width.

20 Total Claim Acreage. This claim runs from the location monument on which this location notice is
 posted at the SE corner of the claim approximately 1320 feet in a WEST direction to the
WEST end line and 660 feet in a NORTH direction to the NORTH end line. This claim is
 marked by four monuments, one at each corner of the claim.

The location monument on which this notice is posted is situated within Section 1, Township
3 N, Range 18 W, Gila Salt River Base and Meridian, Arizona. This claim encompasses

portions of the following legal subdivision(s) if located by legal subdivision or the following quarter section(s),
 section(s), Township(s) and Range(s) NW 1/4, NW 1/4, SW 1/4
SEC 1, T3N, R18W, Gila Salt River Base and Meridian, Arizona.

The locality of this claim with reference to some natural object or permanent monument and additional information
 (if any) concerning its locality are as follows: NORTH OF DOS PICACHOS
MOUNTAIN

_____ The above information is shown on the attached map.
 DATED AND POSTED on the ground this 3 day of SEPTEMBER 2015.

LOCATOR(s) AGENT

Print Name(s) TOM ARKOOSH

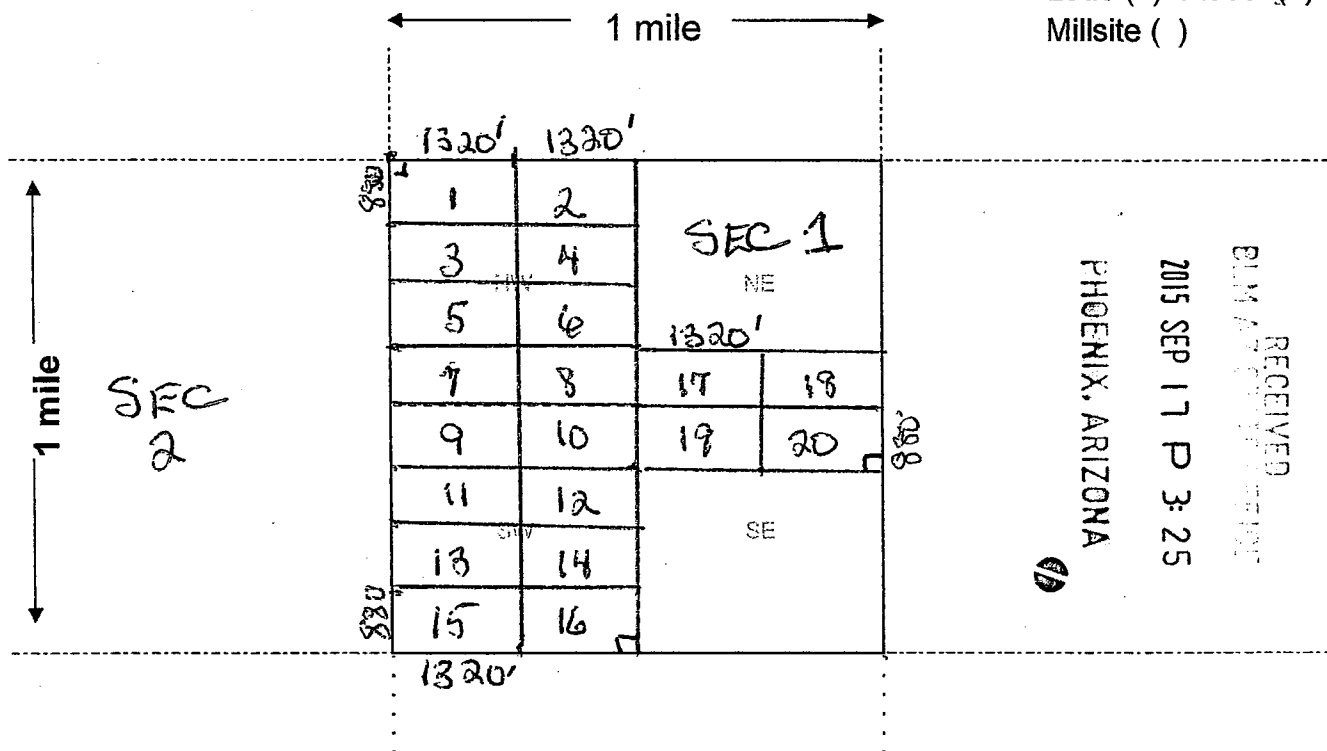
Signature(s) Tom Arkoosh

Form MCF102
 Revised July 2014

AMC433759

MINING CLAIM MAP

Lode () Placer (X)
Millsite ()



RECEIVED
BLM ARIZONA DISTRICT OFFICE
2015 SEP 17 P 3:25
PHOENIX, ARIZONA

AMC433759

Scale: 1" = 2000 feet

1. The above map depicts the RMM-9 mining claim, which is located in Section (s) 1, Township 3 N, Range 18 W, Gila and Salt River Base and Meridian, LA PAZ County, Arizona. Total claim acreage is 20 ACRES

2. The type of corner and location monuments used are as follows: 2" x 2" WOODEN POST 4' HIGH

3. The bearings and distances in degrees and feet between claim corners and to a public land survey monument are as depicted on the map.

4. If the claim is a placer or millsite claim with exterior limits conforming to legal subdivisions of the public survey, provide a legal description of the claim N 1/2 NW 1/4 SW 1/4
SEC. 1, T3N, R18W

Form MCF100a
Revised July 2014



LOCATION NOTICE FOR PLACER MINING CLAIM

Amendment BLM Serial # _____

NOTICE IS HEREBY GIVEN that the RMM-10
 _____ placer mining claim has been located by

ROUGE MOUNTAIN MINING whose current mailing
 address is 805 VETERANS BLVD, STE 228
REDWOOD CITY, CA 94063-1736

RECEIVED
 2015 SEP 17 P 3:25
 PHOENIX, ARIZONA
 BLM
 Date
 Stamp

The general course of this claim is EAST TO WEST and it is situated in LA PAZ
 County, Arizona. This claim is 1320 feet in length and 660 feet in width.

20 Total Claim Acreage. This claim runs from the location monument on which this location notice is
 posted at the SW corner of the claim approximately 1320 feet in a EAST direction to the
EAST end line and 660 feet in a NORTH direction to the NORTH end line. This claim is
 marked by four monuments, one at each corner of the claim.

The location monument on which this notice is posted is situated within Section 1, Township
3 N, Range 18 W, Gila Salt River Base and Meridian, Arizona. This claim encompasses

portions of the following legal subdivision(s) if located by legal subdivision or the following quarter section(s),
 section(s), Township(s) and Range(s) N 1/2 NE 1/4 SW 1/4
SEC 1, T3N, R18W, Gila Salt River Base and Meridian, Arizona.

The locality of this claim with reference to some natural object or permanent monument and additional information
 (if any) concerning its locality are as follows: NORTH OF DOS PICACHOS
MOUNTAIN

_____ The above information is shown on the attached map.

DATED AND POSTED on the ground this 3 day of SEPTEMBER 2015

LOCATOR(s) AGENT

Print Name(s) TOM ARKOOSH

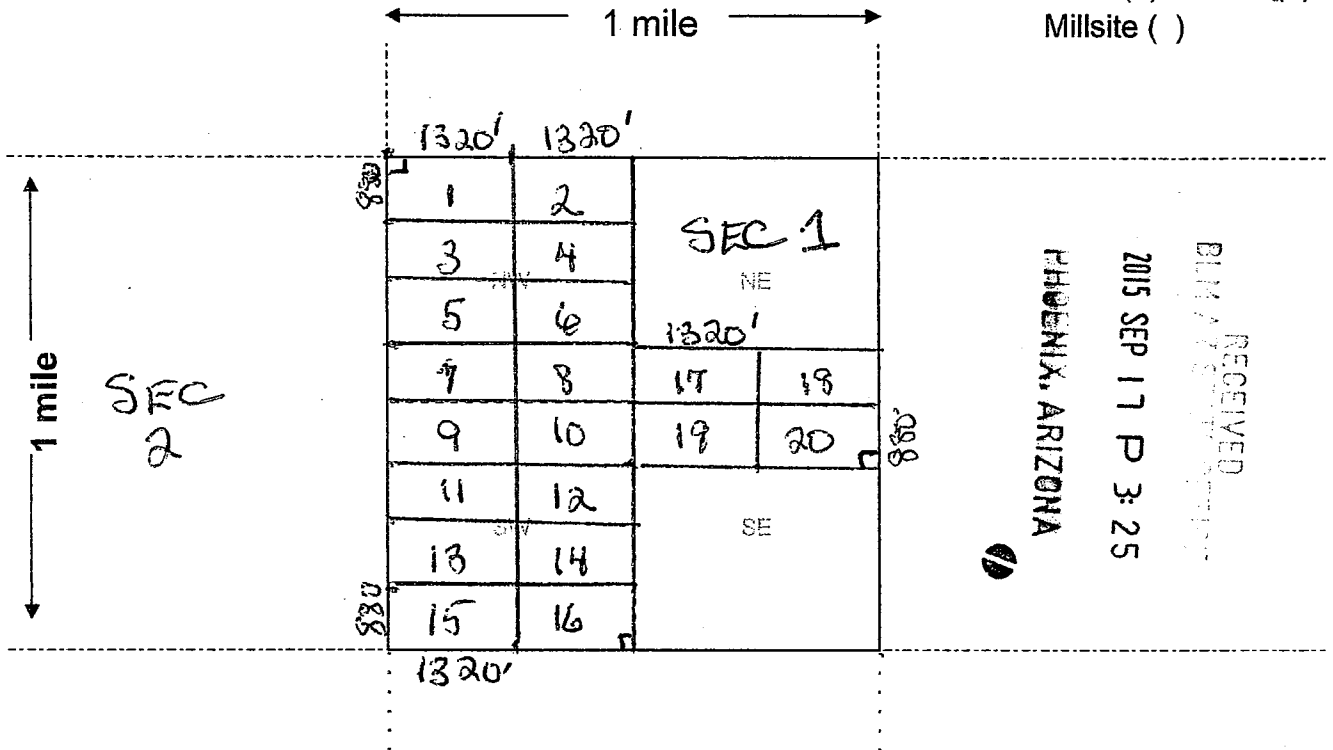
Signature(s) Tom Arkoosh

Form MCF102
 Revised July 2014

AMC433760

MINING CLAIM MAP

Lode () Placer (X)
Millsite ()



RECEIVED
BLM / BOSTON
2015 SEP 17 P 3:25
PHOENIX, ARIZONA

AMC433760

Scale: 1" = 2000 feet



1. The above map depicts the RMM-10 mining claim, which is located in Section (s) 1, Township 3 N, Range 18 W, Gila and Salt River Base and Meridian, LA PAZ County, Arizona. Total claim acreage is 20 ACRES

2. The type of corner and location monuments used are as follows: 2" x 2" WOODEN POST 4' HIGH

3. The bearings and distances in degrees and feet between claim corners and to a public land survey monument are as depicted on the map.

4. If the claim is a placer or millsite claim with exterior limits conforming to legal subdivisions of the public survey, provide a legal description of the claim N 1/2 NE 1/4 SW 1/4
SEC. 1, T3N, R18W

Form MCF100a
Revised July 2014



LOCATION NOTICE FOR PLACER MINING CLAIM

Amendment BLM Serial # _____

NOTICE IS HEREBY GIVEN that the RMM-11

_____ placer mining claim has been located by

ROUGE MOUNTAIN MINING whose current mailing address is 805 VETERANS BLVD, STE 228 REDWOOD CITY, CA 94063-1736

RECEIVED
2015 SEP 17 P 3:25
PHOENIX, ARIZONA
BLM
Date
Stamp

The general course of this claim is EAST TO WEST and it is situated in LA PAZ County, Arizona. This claim is 1320 feet in length and 660 feet in width.

20 Total Claim Acreage. This claim runs from the location monument on which this location notice is posted at the NE corner of the claim approximately 1320 feet in a WEST direction to the WEST end line and 660 feet in a SOUTH direction to the SOUTH end line. This claim is marked by four monuments, one at each corner of the claim.

The location monument on which this notice is posted is situated within Section 1, Township 3 N, Range 18 W, Gila Salt River Base and Meridian, Arizona. This claim encompasses portions of the following legal subdivision(s) if located by legal subdivision or the following quarter section(s), section(s), Township(s) and Range(s) S 1/2 NW 1/4 SW 1/4
SEC 1, T3N, R18W, Gila Salt River Base and Meridian, Arizona.

The locality of this claim with reference to some natural object or permanent monument and additional information (if any) concerning its locality are as follows: NORTH OF DOS PICACHOS MOUNTAIN

The above information is shown on the attached map.

DATED AND POSTED on the ground this 3 day of SEPTEMBER 20 15.

LOCATOR(s) AGENT

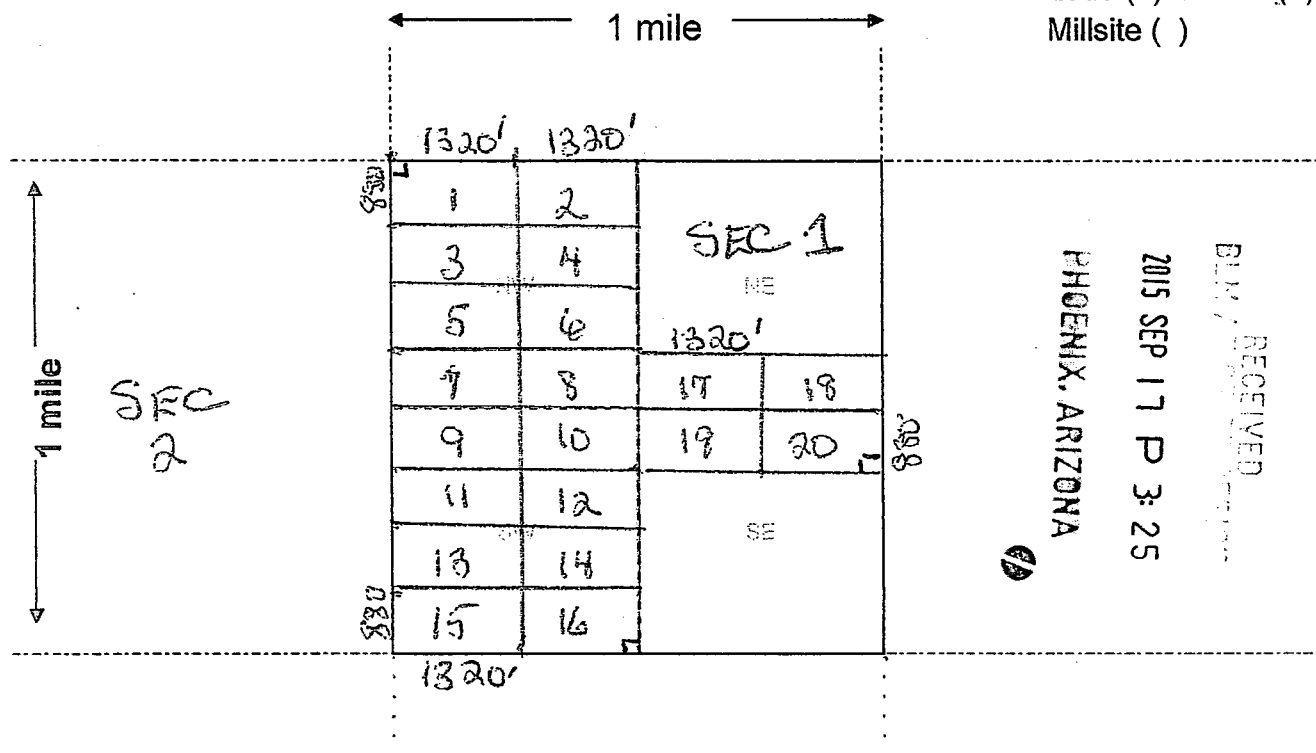
Print Name(s) TOM ARKOOSH

Signature(s) Tom Arkoosh

AMC433761

MINING CLAIM MAP

Lode () Placer (X)
Millsite ()



Scale: 1" = 2000 feet

1. The above map depicts the RMM-11 mining claim, which is located in Section (s) 1, Township 3 N, Range 18 W, Gila and Salt River Base and Meridian, LA PAZ County, Arizona. Total claim acreage is 20 ACRES

2. The type of corner and location monuments used are as follows: 2" x 2" WOODEN POST 4' HIGH

3. The bearings and distances in degrees and feet between claim corners and to a public land survey monument are as depicted on the map.

4. If the claim is a placer or millsite claim with exterior limits conforming to legal subdivisions of the public survey, provide a legal description of the claim S 1/2 NW 1/4 SW 1/4
SEC. 1, T3N, R18W

Form MCF100a
Revised July 2014

AMC4337611



LOCATION NOTICE FOR PLACER MINING CLAIM

Amendment BLM Serial # _____

NOTICE IS HEREBY GIVEN that the RMM-12
 _____ placer mining claim has been located by

ROUGE MOUNTAIN MINING whose current mailing
 address is 805 VETERANS BLVD, STE 228
REDWOOD CITY, CA 94063-1736

RECEIVED
 2015 SEP 17 P 3:25
 PHOENIX, ARIZONA
 BLM
 Date
 Stamp

The general course of this claim is EAST TO WEST and it is situated in LA PAZ
 County, Arizona. This claim is 1320 feet in length and 660 feet in width.

20 Total Claim Acreage. This claim runs from the location monument on which this location notice is
 posted at the NW corner of the claim approximately 1320 feet in a EAST direction to the
EAST end line and 660 feet in a SOUTH direction to the SOUTH end line. This claim is
 marked by four monuments, one at each corner of the claim.

The location monument on which this notice is posted is situated within Section 1, Township
3 N, Range 18 W, Gila Salt River Base and Meridian, Arizona. This claim encompasses

portions of the following legal subdivision(s) if located by legal subdivision or the following quarter section(s),
 section(s), Township(s) and Range(s) S 1/2 NE 1/4 SW 1/4
SEC 1, T3N, R18W, Gila Salt River Base and Meridian, Arizona.

The locality of this claim with reference to some natural object or permanent monument and additional information
 (if any) concerning its locality are as follows: NORTH OF DOS PICACHOS
MOUNTAIN

_____ The above information is shown on the attached map.

DATED AND POSTED on the ground this 3 day of SEPTEMBER 20 15.

LOCATOR(s) AGENT

Print Name(s) TOM ARKOOSH

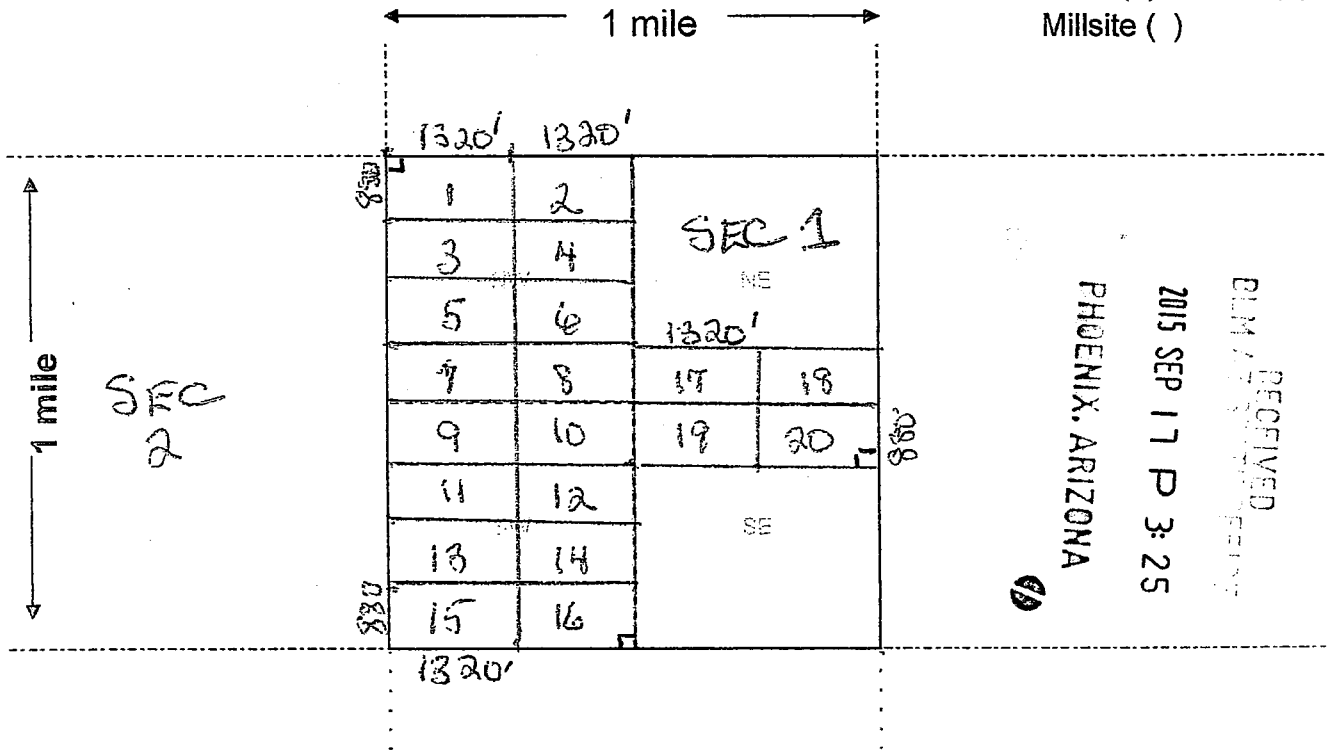
Signature(s) Tom Arkoosh

Form MCF102
 Revised July 2014

AMC433762

MINING CLAIM MAP

Lode () Placer (X)
Millsite ()



Scale: 1" = 2000 feet

1. The above map depicts the RMM-12 mining claim, which is located in Section (s) 1, Township 3 N, Range 18 W, Gila and Salt River Base and Meridian, LA PAZ County, Arizona. Total claim acreage is 20 ACRES

2. The type of corner and location monuments used are as follows: 2" x 2" WOODEN POST 4' HIGH

3. The bearings and distances in degrees and feet between claim corners and to a public land survey monument are as depicted on the map.

4. If the claim is a placer or millsite claim with exterior limits conforming to legal subdivisions of the public survey, provide a legal description of the claim S 1/2 NE 1/4 SW 1/4
SEC. 1, T3N, R18W

Form MCF100a
Revised July 2014

This form is available from the Arizona Geology Survey and may be reproduced.

ANC 433762



LOCATION NOTICE FOR PLACER MINING CLAIM

Amendment BLM Serial # _____

NOTICE IS HEREBY GIVEN that the RMM-13
 _____ placer mining claim has been located by

ROUGE MOUNTAIN MINING whose current mailing
 address is 805 VETERANS BLVD, STE 208
REDWOOD CITY, CA 94063-1736

RECEIVED
 2015 SEP 17 P 3:26
 PHOENIX, ARIZONA
 BLM
 Date
 Stamp

The general course of this claim is EAST TO WEST and it is situated in LA PAZ
 County, Arizona. This claim is 1320 feet in length and 660 feet in width.

20 Total Claim Acreage. This claim runs from the location monument on which this location notice is
 posted at the SE corner of the claim approximately 1320 feet in a WEST direction to the
WEST end line and 660 feet in a NORTH direction to the NORTH end line. This claim is
 marked by four monuments, one at each corner of the claim.

The location monument on which this notice is posted is situated within Section 1, Township
3 N, Range 18 W, Gila Salt River Base and Meridian, Arizona. This claim encompasses

portions of the following legal subdivision(s) if located by legal subdivision or the following quarter section(s),
 section(s), Township(s) and Range(s) NW 1/4, SW 1/4, SW 1/4
SEC 1, T3N, R18W, Gila Salt River Base and Meridian, Arizona.

The locality of this claim with reference to some natural object or permanent monument and additional information
 (if any) concerning its locality are as follows: NORTH OF DOS PICACHOS
MOUNTAIN

_____ The above information is shown on the attached map.
 DATED AND POSTED on the ground this 3 day of SEPTEMBER 2015

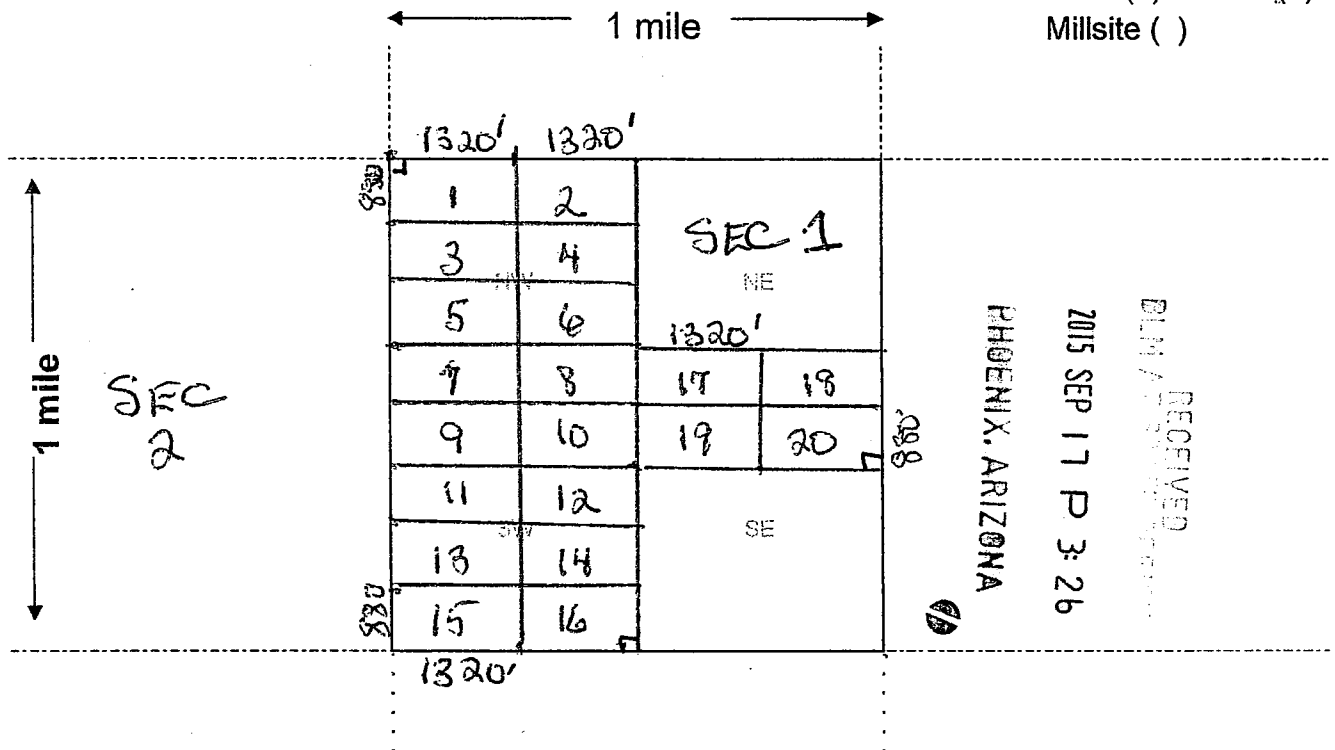
LOCATOR(s) AGENT
 Print Name(s) TOM ARKOOSH
 Signature(s) Tom Arkoosh

Form MCF102
 Revised July 2014

AMC433763

MINING CLAIM MAP

Lode () Placer (X)
Millsite ()



RECEIVED
BLM
2015 SEP 17 P 3:26
PHOENIX, ARIZONA

Scale: 1" = 2000 feet

- The above map depicts the RMM-13 mining claim, which is located in Section (s) 1, Township 3 N, Range 18 W, Gila and Salt River Base and Meridian, LA PAZ County, Arizona. Total claim acreage is 20 ACRES
- The type of corner and location monuments used are as follows: 2" x 2" WOODEN POST 4' HIGH
- The bearings and distances in degrees and feet between claim corners and to a public land survey monument are as depicted on the map.
- If the claim is a placer or millsite claim with exterior limits conforming to legal subdivisions of the public survey, provide a legal description of the claim N 1/2, SW 1/4 SW 1/4
SEC. 1, T3N, R18W

Form MCF100a
Revised July 2014

This form is available from the Arizona Geology Survey and may be reproduced.

AN0433763

LOCATION NOTICE FOR PLACER MINING CLAIM

Amendment BLM Serial # _____

NOTICE IS HEREBY GIVEN that the RMM-14

_____ placer mining claim has been located by

ROUGE MOUNTAIN MINING whose current mailing address is 805 VETERANS BLVD, STE 228 REDWOOD CITY, CA 94063-1736

BLM RECEIVED
2015 SEP 17 P 3:26
PHOENIX, ARIZONA

The general course of this claim is EAST TO WEST and it is situated in LA PAZ

County, Arizona. This claim is 1320 feet in length and 660 feet in width.

20 Total Claim Acreage. This claim runs from the location monument on which this location notice is posted at the SW corner of the claim approximately 1320 feet in a EAST direction to the EAST end line and 660 feet in a NORTH direction to the NORTH end line. This claim is marked by four monuments, one at each corner of the claim.

The location monument on which this notice is posted is situated within Section 1, Township 3 N, Range 18 W, Gila Salt River Base and Meridian, Arizona. This claim encompasses

portions of the following subdivision(s) if located by legal subdivision or the following quarter section(s), section(s), Township(s) and Range(s) N 1/2 SE 1/4 SW 1/4
SEC 1, T3N, R18W, Gila Salt River Base and Meridian, Arizona.

The locality of this claim with reference to some natural object or permanent monument and additional information (if any) concerning its locality are as follows: NORTH OF DOS PICACHOS MOUNTAIN

The above information is shown on the attached map.

DATED AND POSTED on the ground this 3 day of SEPTEMBER 20 15

LOCATOR(s) AGENT

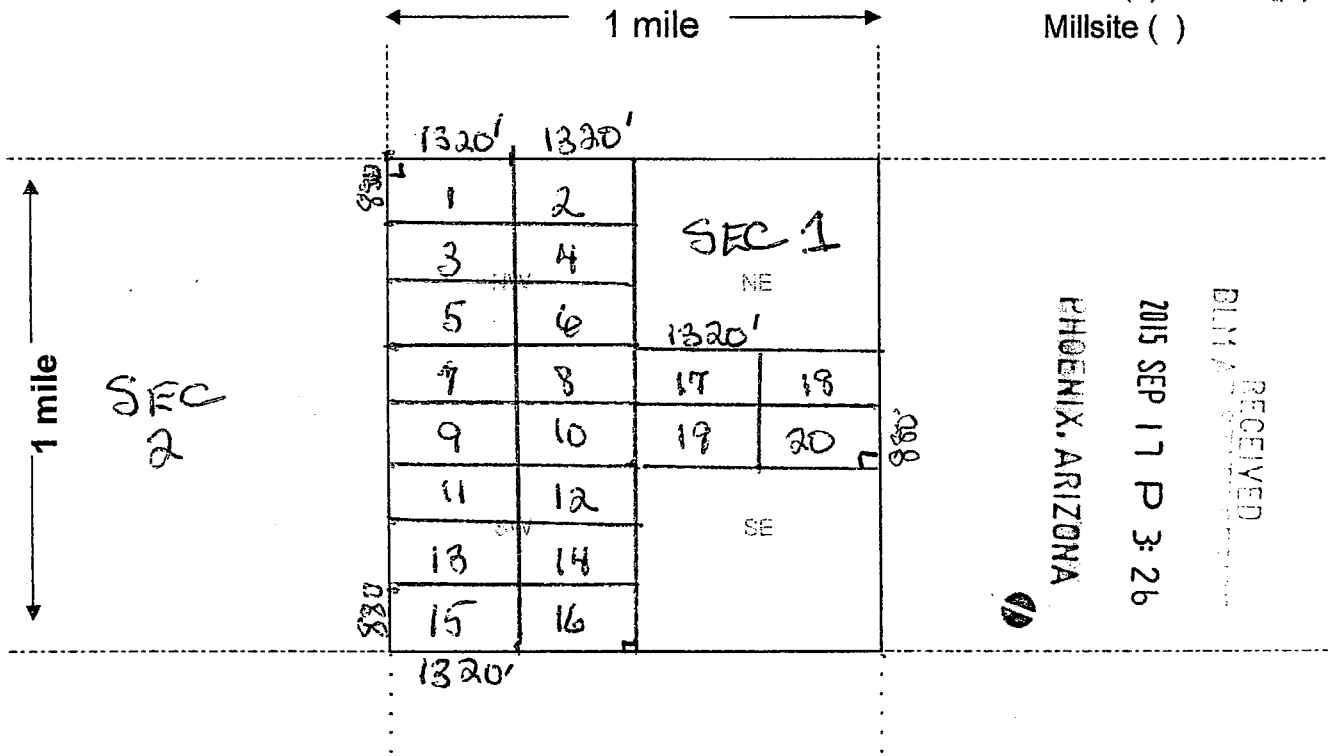
Print Name(s) TOM ARKOOSH

Signature(s) Tom Arkoosh

AMC433764

MINING CLAIM MAP

Lode () Placer (X)
Millsite ()



Scale: 1" = 2000 feet



1. The above map depicts the RMM-14 mining claim, which is located in Section (s) 1, Township 3 N, Range 18 W, Gila and Salt River Base and Meridian, LA PAZ County, Arizona. Total claim acreage is 20 ACRES

2. The type of corner and location monuments used are as follows: 2" x 2" WOODEN POST 4' HIGH

3. The bearings and distances in degrees and feet between claim corners and to a public land survey monument are as depicted on the map.

4. If the claim is a placer or millsite claim with exterior limits conforming to legal subdivisions of the public survey, provide a legal description of the claim N 1/2 SE 1/4 SW 1/4
SEC. 1, T3N, R18W

Form MCF100a
Revised July 2014

AMC433764



LOCATION NOTICE FOR PLACER MINING CLAIM

Amendment BLM Serial # _____

NOTICE IS HEREBY GIVEN that the RMM-15
 _____ placer mining claim has been located by

ROUGE MOUNTAIN MINING whose current mailing
 address is 805 VETERANS BLVD, STE 238
REDWOOD CITY, CA 94063-1736

RECEIVED
 BLM ARIZONA
 2015 SEP 17 P 3:26
 PHOENIX, ARIZONA
 BLM
 Date
 Stamp

The general course of this claim is EAST TO WEST and it is situated in LA PAZ
 County, Arizona. This claim is 1320 feet in length and 660 feet in width.

20 Total Claim Acreage. This claim runs from the location monument on which this location notice is
 posted at the NE corner of the claim approximately 1320 feet in a WEST direction to the
WEST end line and 660 feet in a SOUTH direction to the SOUTH end line. This claim is
 marked by four monuments, one at each corner of the claim.

The location monument on which this notice is posted is situated within Section 1, Township
3 N, Range 18 W, Gila Salt River Base and Meridian, Arizona. This claim encompasses

portions of the following legal subdivision(s) if located by legal subdivision or the following quarter section(s),
 section(s), Township(s) and Range(s) S 1/2 SW 1/4 SW 1/4
SEC 1, T3N, R18W, Gila Salt River Base and Meridian, Arizona.

The locality of this claim with reference to some natural object or permanent monument and additional information
 (if any) concerning its locality are as follows: NORTH OF DOS PICACHOS
MOUNTAIN

_____ The above information is shown on the attached map.
 DATED AND POSTED on the ground this 3 day of SEPTEMBER 20 15.

LOCATOR(s) AGENT

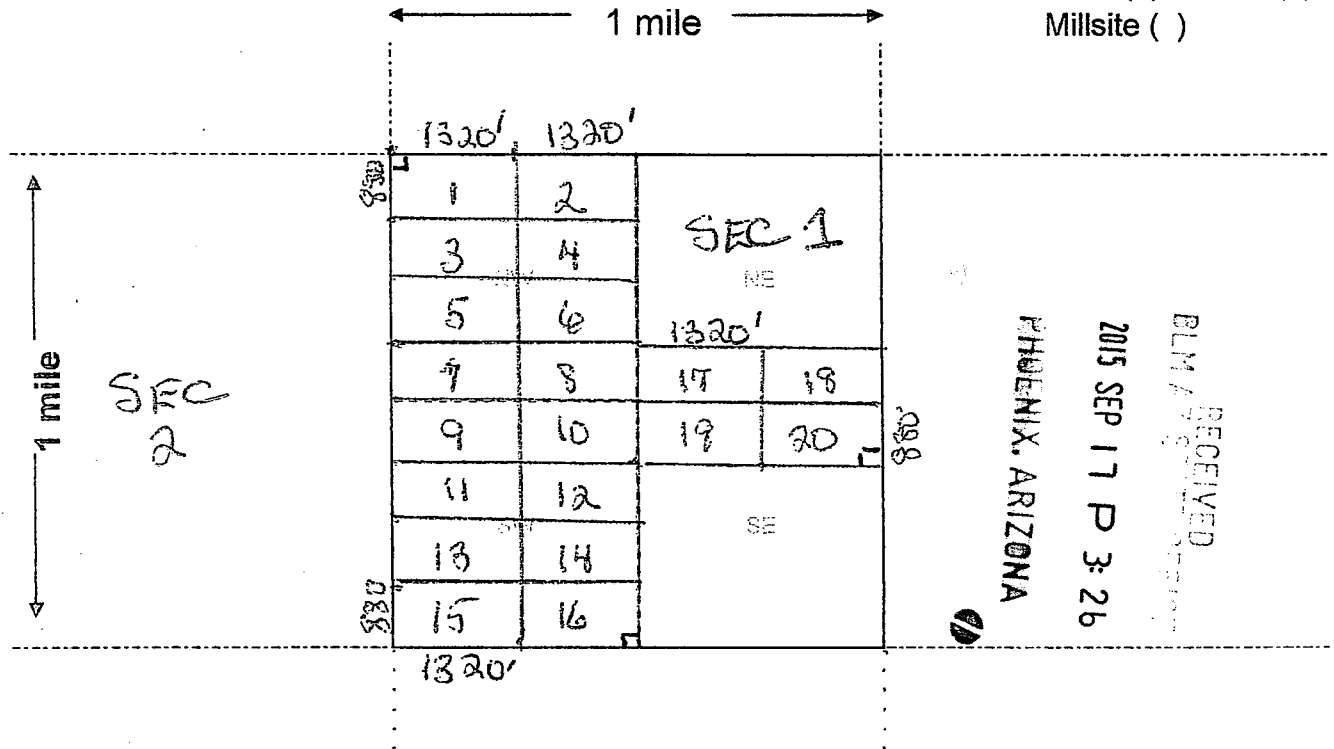
Print Name(s) TOM ARKOOSH

Signature(s) Tom Arkoosh

AMC433765

MINING CLAIM MAP

Lode () Placer (X)
Millsite ()



Scale: 1" = 2000 feet



1. The above map depicts the RMM-15 mining claim, which is located in Section (s) 1, Township 3 N, Range 18 W, Gila and Salt River Base and Meridian, LA PAZ County, Arizona. Total claim acreage is 20 ACRES

2. The type of corner and location monuments used are as follows: 2" x 2" WOODEN POST 4' HIGH

3. The bearings and distances in degrees and feet between claim corners and to a public land survey monument are as depicted on the map.

4. If the claim is a placer or millsite claim with exterior limits conforming to legal subdivisions of the public survey, provide a legal description of the claim S 1/2, SW 1/4 SW 1/4
SEC. 1, T3N, R18W

Form MCF100a
Revised July 2014

This form is available from the Arizona Geology Survey and may be reproduced.

AMC433765



LOCATION NOTICE FOR PLACER MINING CLAIM

Amendment BLM Serial # _____

NOTICE IS HEREBY GIVEN that the RMM-16

_____ placer mining claim has been located by

ROUGE MOUNTAIN MINING whose current mailing address is 805 VETERANS BLVD, STE 228 REDWOOD CITY, CA 94063-1736

RECEIVED
 BLM
 2015 SEP 17 P 3:26
 PHOENIX, ARIZONA

The general course of this claim is EAST TO WEST and it is situated in LA PAZ

County, Arizona. This claim is 1320 feet in length and 660 feet in width.

20 Total Claim Acreage. This claim runs from the location monument on which this location notice is posted at the NW corner of the claim approximately 1320 feet in a EAST direction to the EAST end line and 660 feet in a SOUTH direction to the SOUTH end line. This claim is marked by four monuments, one at each corner of the claim.

The location monument on which this notice is posted is situated within Section 1, Township

3 N, Range 18 W, Gila Salt River Base and Meridian, Arizona. This claim encompasses

portions of the following legal subdivision(s) if located by legal subdivision or the following quarter section(s),

section(s), Township(s) and Range(s) S 1/2 SE 1/4 SW 1/4

SEC 1, T3N, R18W, Gila Salt River Base and Meridian, Arizona.

The locality of this claim with reference to some natural object or permanent monument and additional information

(if any) concerning its locality are as follows: NORTH OF DOS PICACHOS MOUNTAIN

The above information is shown on the attached map.

DATED AND POSTED on the ground this 3 day of SEPTEMBER 20 15

LOCATOR(s) AGENT

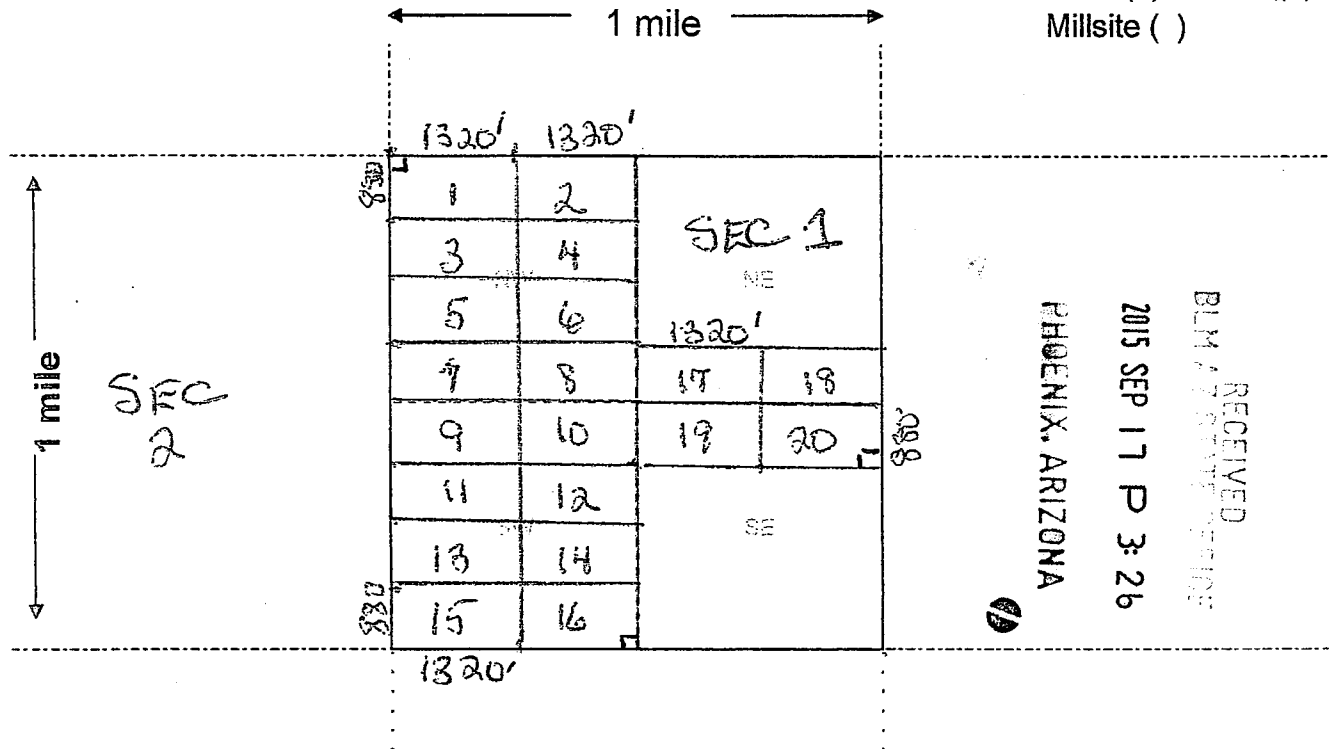
Print Name(s) TOM ARKOOSH

Signature(s) Tom Arkoosh

AMC433766

MINING CLAIM MAP

Lode () Placer (X)
Millsite ()



Scale: 1" = 2000 feet

1. The above map depicts the RMM-16 mining claim, which is located in Section (s) 1, Township 3 N, Range 18 W, Gila and Salt River Base and Meridian, LA PAZ County, Arizona. Total claim acreage is 20 ACRES

2. The type of corner and location monuments used are as follows: 2" x 2" WOODEN POST 4' HIGH

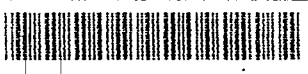
3. The bearings and distances in degrees and feet between claim corners and to a public land survey monument are as depicted on the map.

4. If the claim is a placer or millsite claim with exterior limits conforming to legal subdivisions of the public survey, provide a legal description of the claim S 1/2 SE 1/4 SW 1/4
SEC. 1, T3N, R18W

Form MCF100a
Revised July 2014

This form is available from the Arizona Geology Survey and may be reproduced.

AMC433766



2015- 939
 Page 1 of
 Requested By: Rouge Mountain
 SHELLY D BAKER, RECORDER
 OFFICIAL RECORDS OF LA PAZ COUNTY, AZ
 09-03-2015 02:05 PM Recording Fee \$10.00

LOCATION NOTICE FOR PLACER MINING CLAIM

Amendment BLM Serial # _____

NOTICE IS HEREBY GIVEN that the RMM-17

_____ placer mining claim has been located by

ROUGE MOUNTAIN MINING whose current mailing
 address is 805 VETERANS BLVD, STE 228
REDWOOD CITY, CA 94063-1736

The general course of this claim is EAST TO WEST and it is situated in LA PAZ
 County, Arizona. This claim is 1320 feet in length and 660 feet in width.

20 Total Claim Acreage. This claim runs from the location monument on which this location notice is
 posted at the SE corner of the claim approximately 1320 feet in a WEST direction to the
WEST end line and 660 feet in a NORTH direction to the NORTH end line. This claim is
 marked by four monuments, one at each corner of the claim.

The location monument on which this notice is posted is situated within Section 1, Township
3 N, Range 18 W, Gila Salt River Base and Meridian, Arizona. This claim encompasses
 portions of the following legal subdivision(s) if located by legal subdivision or the following quarter section(s),
 section(s), Township(s) and Range(s) SW 1/4, SW 1/4, NE 1/4
SEC 1, T3N, R18W, Gila Salt River Base and Meridian, Arizona.

The locality of this claim with reference to some natural object or permanent monument and additional information
 (if any) concerning its locality are as follows: NORTH OF DOS PICACHOS
MOUNTAIN

_____ The above information is shown on the attached map.

DATED AND POSTED on the ground this 3 day of SEPTEMBER 20 15

LOCATOR(s) AGENT

Print Name(s) TOM ARKOOSH

Signature(s) Tom Arkoosh

RECEIVED
 BLM ARIZONA
 2015 SEP 17 P 3:26
 PHOENIX, ARIZONA
 BLM
 Date
 Stamp

AMC433767

Form MCF102
 Revised July 2014



LOCATION NOTICE FOR PLACER MINING CLAIM

Amendment BLM Serial # _____

NOTICE IS HEREBY GIVEN that the RMM-18
 _____ placer mining claim has been located by

ROUGE MOUNTAIN MINING whose current mailing
 address is 805 VETERANS BLVD, STE 228
REDWOOD CITY, CA 94063-1736

RECEIVED
 BLM
 2015 SEP 17 P 3:26
 PHOENIX, ARIZONA
 BLM
 Date
 Stamp

The general course of this claim is EAST TO WEST and it is situated in LA PAZ
 County, Arizona. This claim is 1320 feet in length and 660 feet in width.

20 Total Claim Acreage. This claim runs from the location monument on which this location notice is
 posted at the SW corner of the claim approximately 1320 feet in a EAST direction to the
EAST end line and 660 feet in a NORTH direction to the NORTH end line. This claim is
 marked by four monuments, one at each corner of the claim.

The location monument on which this notice is posted is situated within Section 1, Township
3 N, Range 18 W, Gila Salt River Base and Meridian, Arizona. This claim encompasses

portions of the following legal subdivision(s) if located by legal subdivision or the following quarter section(s),
 section(s), Township(s) and Range(s) S 1/2 SE 1/4 NE 1/4
SEC 1, T3N, R18W, Gila Salt River Base and Meridian, Arizona.

The locality of this claim with reference to some natural object or permanent monument and additional information
 (if any) concerning its locality are as follows: NORTH OF DOS PICACHOS
MOUNTAIN

_____ The above information is shown on the attached map.
 DATED AND POSTED on the ground this 3 day of SEPTEMBER 20 15.

LOCATOR(s) AGENT

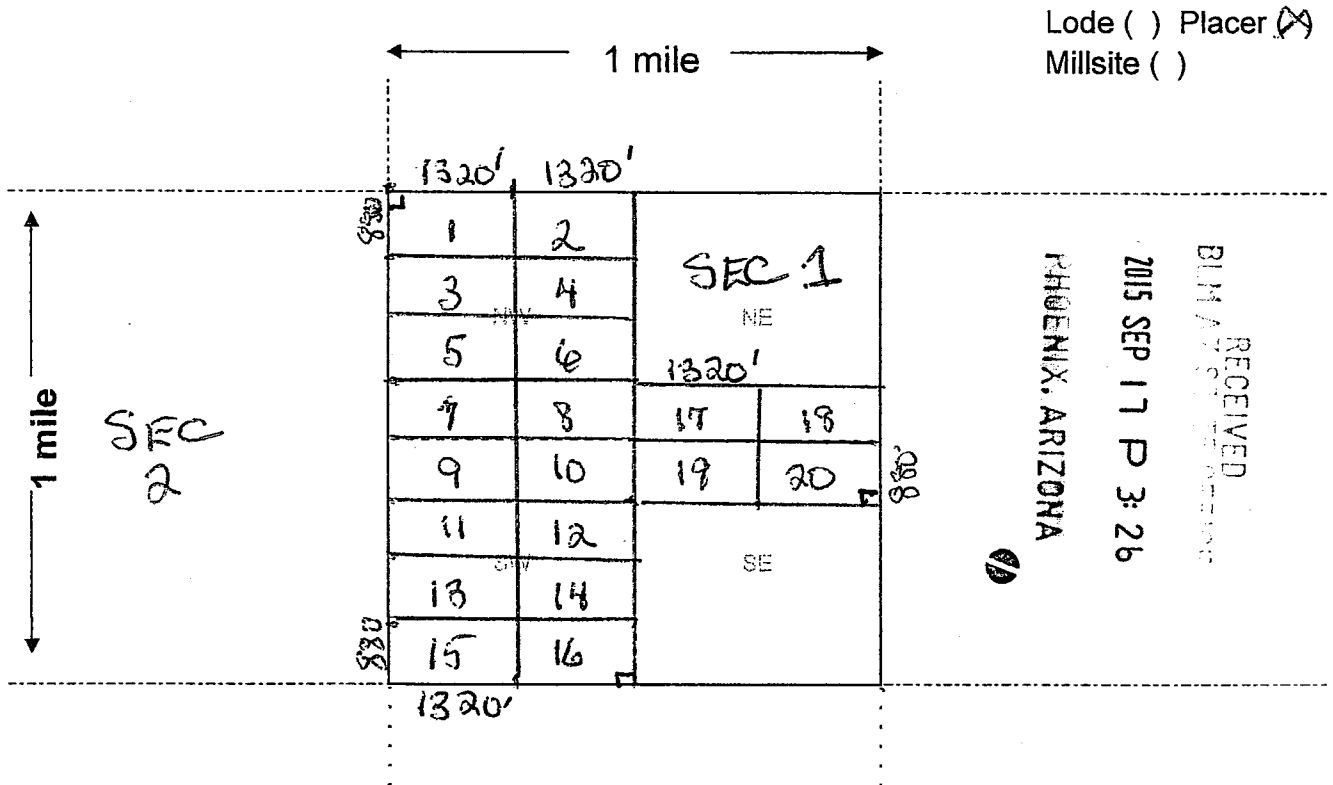
Print Name(s) TOM ARKOOSH

Signature(s) Tom Arkoosh

Form MCF102
 Revised July 2014

ANCL433768

MINING CLAIM MAP



AMC433768

Scale: 1" = 2000 feet



1. The above map depicts the RMM-18 mining claim, which is located in Section (s) 1, Township 3 N, Range 18 W, Gila and Salt River Base and Meridian, LA PAZ County, Arizona. Total claim acreage is 20 ACRES

2. The type of corner and location monuments used are as follows: 2" x 2" WOODEN POST 4' HIGH

3. The bearings and distances in degrees and feet between claim corners and to a public land survey monument are as depicted on the map.

4. If the claim is a placer or millsite claim with exterior limits conforming to legal subdivisions of the public survey, provide a legal description of the claim S 1/2, SE 1/4 NE 1/4
SEC. 1, T3N, R18W

Form MCF100a
Revised July 2014



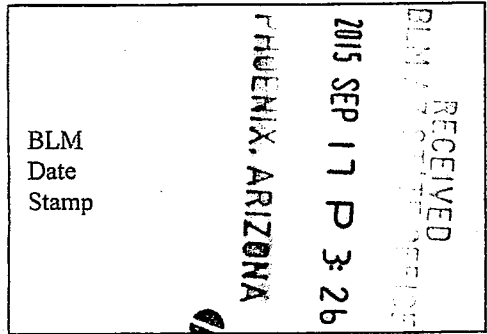
LOCATION NOTICE FOR PLACER MINING CLAIM

Amendment BLM Serial # _____

NOTICE IS HEREBY GIVEN that the RMM-19

_____ placer mining claim has been located by

ROUGE MOUNTAIN MINING whose current mailing
 address is 805 VETERANS BLVD, STE 228
REDWOOD CITY, CA 94063-1736



The general course of this claim is EAST TO WEST and it is situated in LA PAZ

County, Arizona. This claim is 1320 feet in length and 660 feet in width.

20 Total Claim Acreage. This claim runs from the location monument on which this location notice is posted at the NE corner of the claim approximately 1320 feet in a WEST direction to the WEST end line and 660 feet in a SOUTH direction to the SOUTH end line. This claim is marked by four monuments, one at each corner of the claim.

The location monument on which this notice is posted is situated within Section 1, Township 3 N, Range 18 W, Gila Salt River Base and Meridian, Arizona. This claim encompasses

portions of the following legal subdivision(s) if located by legal subdivision or the following quarter section(s), section(s), Township(s) and Range(s) N 1/2 NW 1/4 SE 1/4

SEC 1, T3N, R18W, Gila Salt River Base and Meridian, Arizona.

The locality of this claim with reference to some natural object or permanent monument and additional information (if any) concerning its locality are as follows: NORTH OF DOS PICACHOS MOUNTAIN

_____ The above information is shown on the attached map.

DATED AND POSTED on the ground this 3 day of SEPTEMBER 20 15.

LOCATOR(s) AGENT

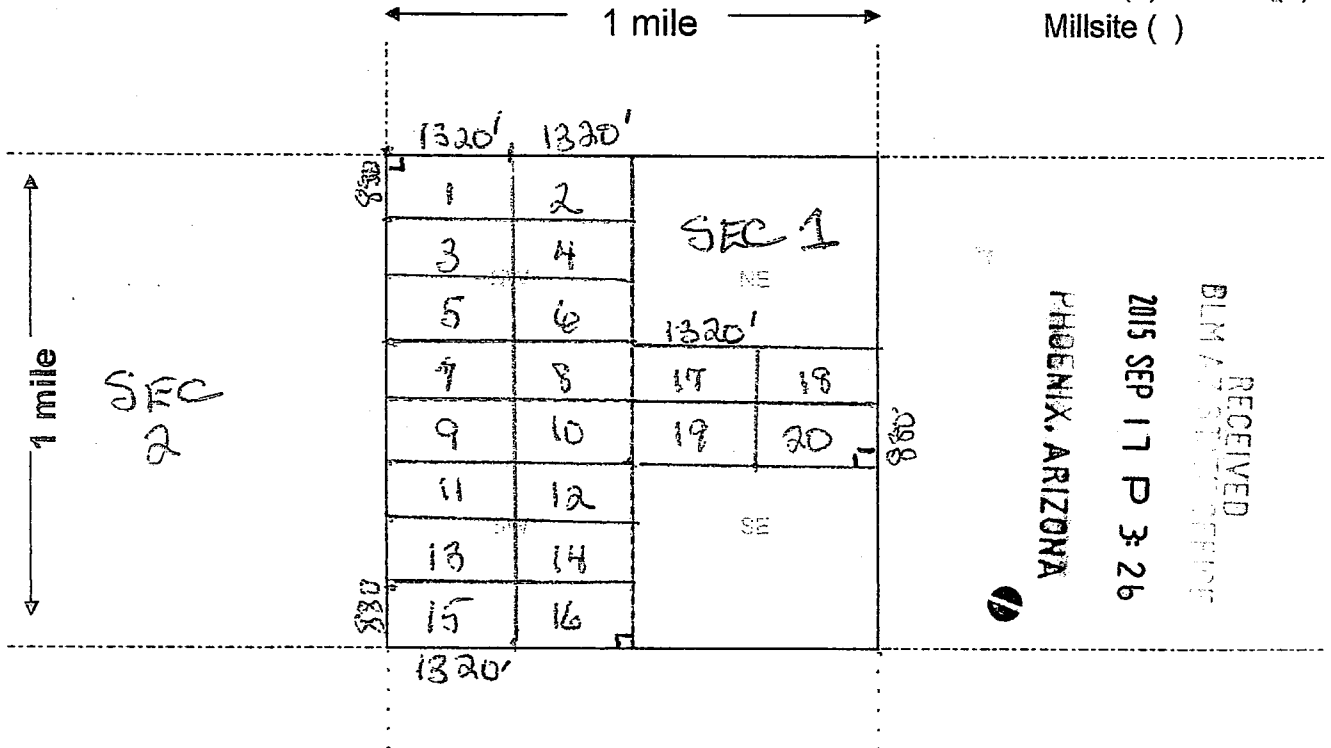
Print Name(s) TOM ARKOOSH

Signature(s) Tom Arkosh

AMC433769

MINING CLAIM MAP

Lode () Placer (X)
Millsite ()



RECEIVED
BLM / SALT RIVER OFFICE
2015 SEP 17 P 3:26
PHOENIX, ARIZONA

AHC433169

Scale: 1" = 2000 feet

1. The above map depicts the RMM-19 mining claim, which is located in Section (s) 1, Township 3 N, Range 18 W, Gila and Salt River Base and Meridian, LA PAZ County, Arizona. Total claim acreage is 20 ACRES

2. The type of corner and location monuments used are as follows: 2" x 2" WOODEN POST 4' HIGH

3. The bearings and distances in degrees and feet between claim corners and to a public land survey monument are as depicted on the map.

4. If the claim is a placer or millsite claim with exterior limits conforming to legal subdivisions of the public survey, provide a legal description of the claim N 1/2 NW 1/4 SE 1/4
SEC. 1, T3N, R18W

Form MCF100a
Revised July 2014

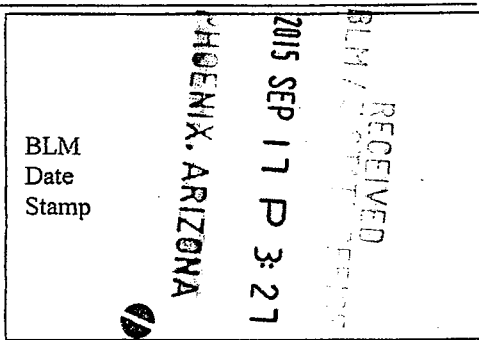


LOCATION NOTICE FOR PLACER MINING CLAIM

Amendment BLM Serial # _____

NOTICE IS HEREBY GIVEN that the RMM-20
 _____ placer mining claim has been located by

ROUGE MOUNTAIN MINING whose current mailing
 address is 805 VETERANS BLVD, STE 208
REDWOOD CITY, CA 94063-1736



The general course of this claim is EAST TO WEST and it is situated in LA PAZ
 County, Arizona. This claim is 1320 feet in length and 660 feet in width.

20 Total Claim Acreage. This claim runs from the location monument on which this location notice is
 posted at the NW corner of the claim approximately 1320 feet in a EAST direction to the
EAST end line and 660 feet in a SOUTH direction to the SOUTH end line. This claim is
 marked by four monuments, one at each corner of the claim.

The location monument on which this notice is posted is situated within Section 1, Township
3 N, Range 18 W, Gila Salt River Base and Meridian, Arizona. This claim encompasses

portions of the following legal subdivision(s) if located by legal subdivision or the following quarter section(s),
 section(s), Township(s) and Range(s) N 1/2 NE 1/4 SE 1/4
SEC 1, T3N, R18W, Gila Salt River Base and Meridian, Arizona.

The locality of this claim with reference to some natural object or permanent monument and additional information
 (if any) concerning its locality are as follows: NORTH OF DOS PICACHOS
MOUNTAIN

The above information is shown on the attached map.

DATED AND POSTED on the ground this 3 day of SEPTEMBER 2015.

LOCATOR(s) AGENT

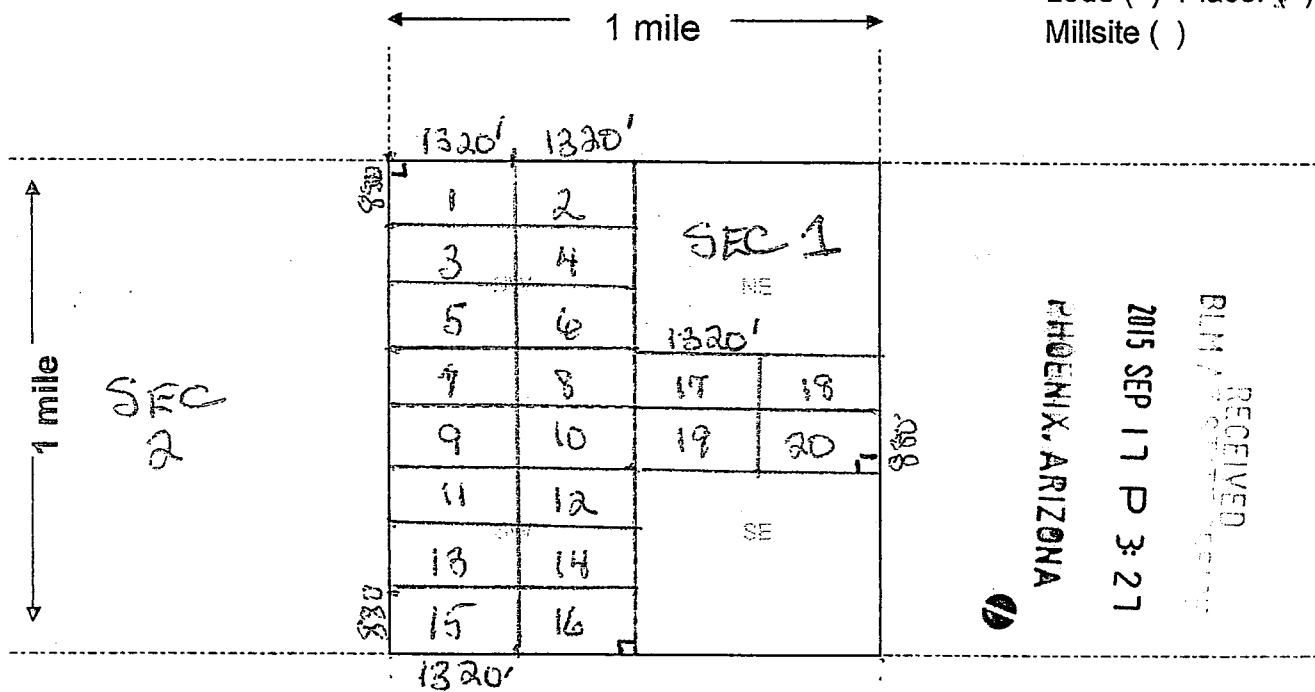
Print Name(s) TOM ARKOOSH

Signature(s) Tom Arkoosh

AMC433710

MINING CLAIM MAP

Lode () Placer (X)
Millsite ()



Scale: 1" = 2000 feet

1. The above map depicts the RMM - 20 mining claim, which is located in Section (s) 1, Township 3 N, Range 18 W, Gila and Salt River Base and Meridian, LA PAZ County, Arizona. Total claim acreage is 20 ACRES

2. The type of corner and location monuments used are as follows: 2" x 2" WOODEN POST 4' HIGH

3. The bearings and distances in degrees and feet between claim corners and to a public land survey monument are as depicted on the map.

4. If the claim is a placer or millsite claim with exterior limits conforming to legal subdivisions of the public survey, provide a legal description of the claim N 1/2 NE 1/4 SE 1/4
SEC. 1, T3N, R18W

Form MCF100a
Revised July 2014

AN0433770

Input Parameters for Geographic Report with Land

System Id = CR

Admin State = AZ

Geo State =

Casetype Begins With

Case Disp Txt = AUTHORIZED, CANCELLED, EXPIRED, PENDING, REJECTED, RELINQUISHED, WITHDRAWN

Mer Twp Rng =

Section =

Mtrs = 14 0030N 0180W 001, 14 0030N 0180W 999

Commodity =

Commodity Txt =

Pending Org =

Pend Org Decode =

Total Rows Returned: 1

RUN TIME: 02:48 PM

UNITED STATES DEPARTMENT OF INTERIOR
BUREAU OF LAND MANAGEMENT
GEOGRAPHIC REPORT WITH LAND
Sorted by Serial Number

RUN DATE: 09/25/2015
Page 1 of 1

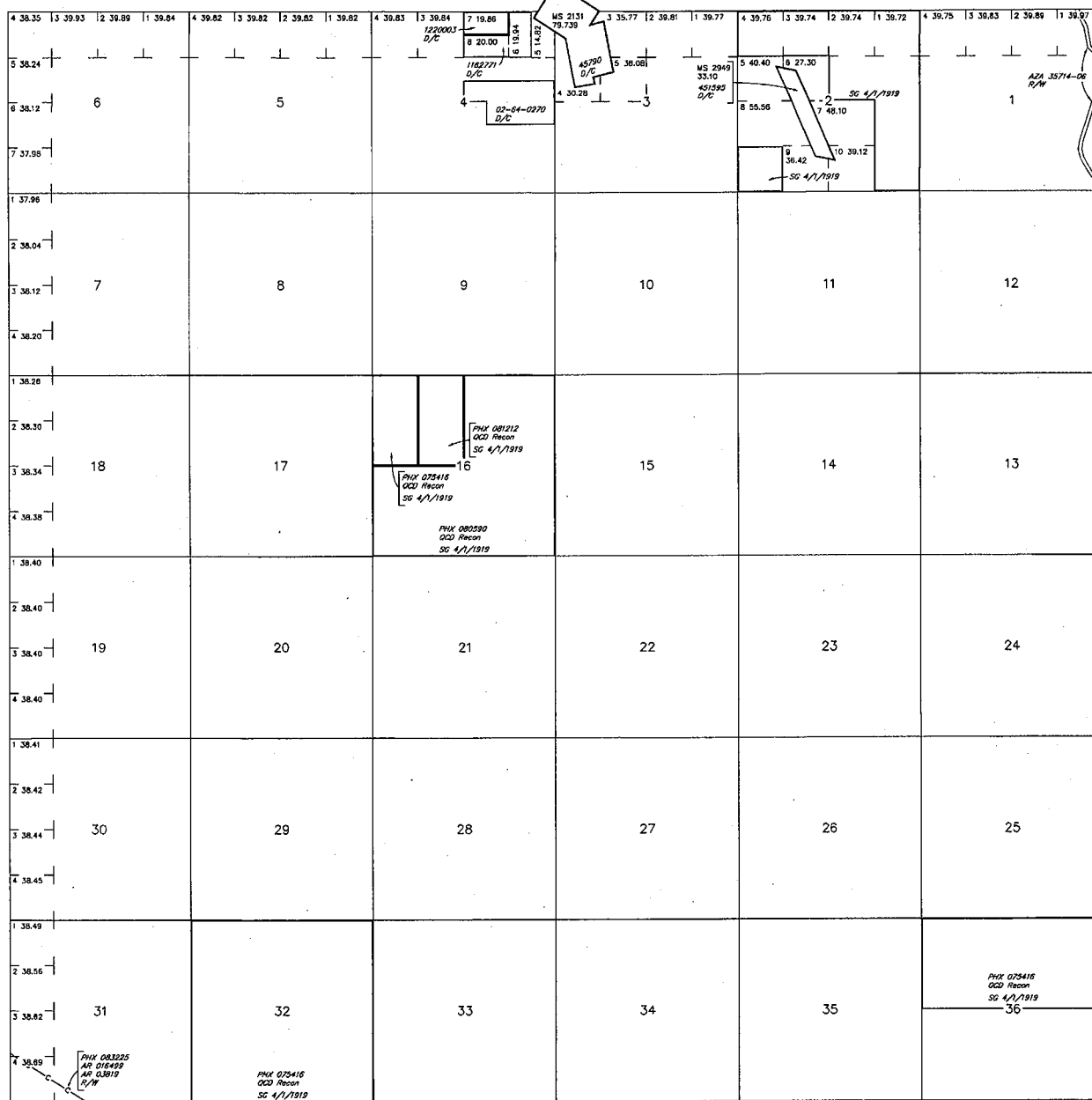
Serial Number: AZA 03571406
Total Case Acres: 1.000

<u>Casetype</u>	<u>Case Disp</u>				<u>Sect</u>	<u>Sur Typ</u>	<u>Sur Num</u>	<u>Suff</u>	<u>Subdivision</u>	<u>Act Pend</u>
281001	AUTHORIZED	14	0030N	0180W	001	ALIQ			SENE,E2SE;	

TOWNSHIP 3 NORTH RANGE 18 WEST OF THE GILA AND SALT RIVER MERIDIAN, ARIZONA

LA PAZ COUNTY
TUMA FIELD OFFICE

STATUS OF PUBLIC DOMAIN
LAND AND MINERAL TITLES



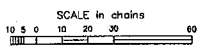
INDEX TO SEGREGATED TRACTS				
RESURVEY		ORIGINAL SURVEY		
TRACT NO.	T	R	SEC.	SUBDIVISION

FOR ORDERS AFFECTING DISPOSAL OR USE OF UNIDENTIFIED LANDS WITHDRAWN FOR CLASSIFICATION, MINERALS, WATER AND/OR OTHER PUBLIC PURPOSES, REFER TO INDEX OF MISCELLANEOUS DOCUMENTS.

Grazing Dist No 2

MDS 439 NE
440 NW

Lot Long 33'32'59"N 114'03'48"W



WARNING STATEMENT
This plot is the Bureau's Record of Title, and should be used only as a graphic display of the township survey data. Records herein do not reflect title changes which may have been affected by lateral movements of lines or other books of water. Refer to the cadastral surveys for official survey information.

CURRENT TO	NW	GSR Mer
12-3-2014	ACAD	T 3 N
		R 18 W